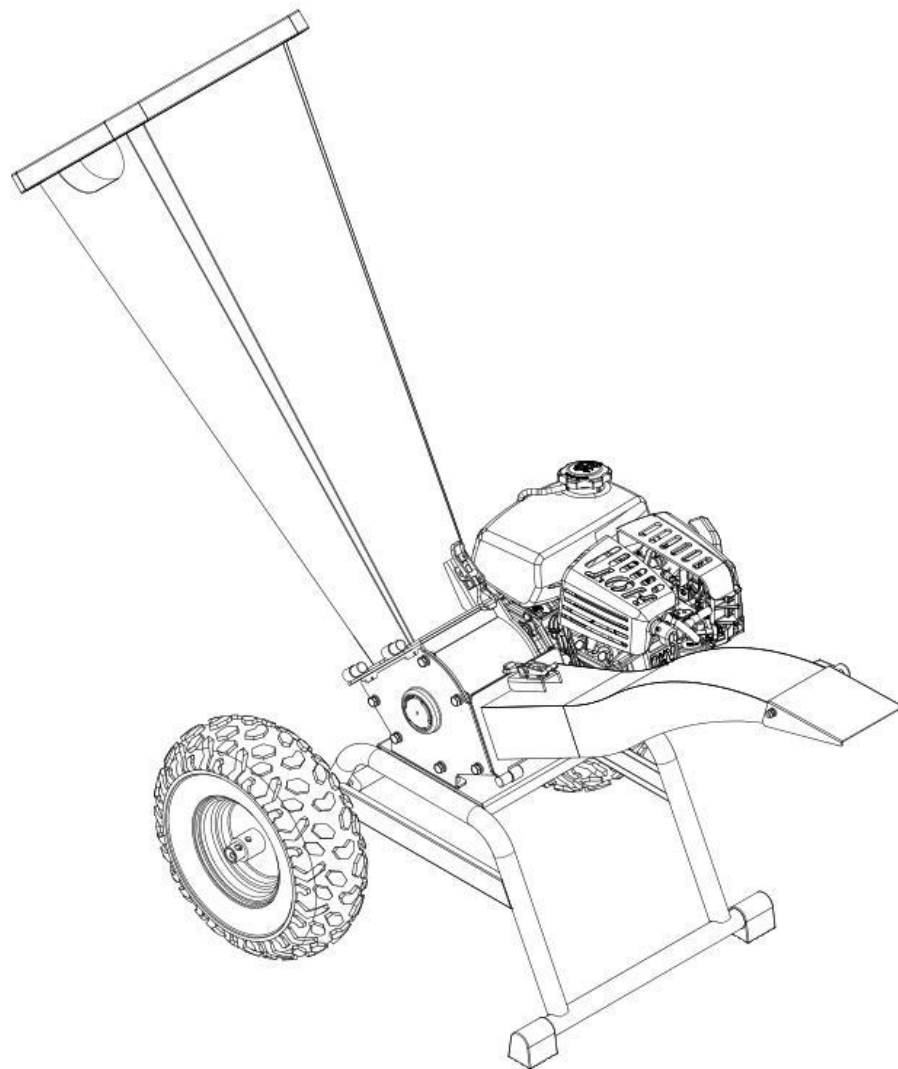




## 2.8" Direct Drive Chipper Shredder with Kohler RH265 Engine



Due to continuing improvements, actual product may differ slightly from the product described

# Contents

General Safety Rules .....	- 2 -
Getting Familiar with your Wood Chipper .....	- 7 -
Operating the Wood Chipper.....	- 8 -
Maintenance .....	- 10 -
Assembly.....	- 12 -
Troubleshooting.....	- 14 -

## Icons used in this manual



### **WARNING**

This indicates a hazardous situation, which, if not avoided, could result in death or serious injury.



### **CAUTION**

This indicates a hazardous situation, which, if not avoided, could result in minor or moderate injury.



### **NOTICE**

This information is important in proper using of your machine. Failure to follow this instruction could result in damage to your machine or property.

### Additional Information and Potential Changes

We reserve the right to discontinue, change, and improve its products at any time without notice or obligation to the purchaser. The descriptions and specifications contained in this manual were in effect at printing.

## General Safety Rules

### Safety Labels Found on Your Unit



Read entire instruction manual before operating.



DANGER, pay close attention.



Keep hands away from moving parts.



Warning: Sharp Blades.



Keep a safe operating distance from machine in operation.



Warning: Objects may kickback out of the machine.



### WARNING:

Read this manual before operating. Be familiar with the operation and service recommendations to ensure the best performance of your machine.

**CAUTION**

This machine is designed solely to chip wood and must not be used for any other purpose. It should only be used by trained operators who are familiar with the content of this manual. It is potentially hazardous to fit or use any parts other than authorized dealer parts. We disclaim all liability for the consequences of such use, which in addition voids the machine warranty.

After the equipment leaves factory, we will not undertake the problems caused by user privately modifications as well.

**Before using the wood chipper****NOTICE**

- A. Operators must have fully understood the manual before using this machine.
- B. Machine is positioned on level ground; all guards are fitted and secured.
- C. Blades are in good condition, sharp and secured.
- D. All fasteners are checked.
- E. Only wood is to be processed in the chipper. Make sure Material is free of metal, nails, and foreign materials.
- F. Be aware of all safety features and switches.
- G. Check and ensure fluids are properly filled. Refer to Kohler manual.
- H. Fire extinguisher is available on site.

**When using the wood chipper****NOTICE**

- A. Always feed from the side. **NEVER STAND DIRECTLY IN FRONT OF THE FEED CHUTE.**
- B. It is better to have a second trained operator within easy reach of the machine.
- C. Maintain machine at specified periods.
- D. Note direction of discharge chute and if necessary, note the wind direction to prevent debris from being blown into unsafe areas.
- E. **DO NOT** put any part of your body into the in-feed chute while the machine is running.
- F. **DO NOT** operate the machine while under the influence of alcohol or drugs.
- G. **DO NOT** operate inside a building or confined.

## Protecting Yourself and Those Around You



### WARNING

Unsafe operation can create several hazards for you, as well as anyone else in the vicinity.

Always take the following precautions when using this machine:

- A. Keep in mind that the operator is responsible for accidents or hazards occurring to other people, their property, and themselves.
- B. Always wear **protective goggles or safety glasses** with side shields while using the Wood Chipper to protect your eyes from possible debris.
- C. Avoid wearing loose clothing or jewelry, which can catch on moving parts.
- D. We recommend wearing **gloves** while using the Wood Chipper. Be sure your gloves fit properly and do not have loose cuffs.
- E. Wear shoes with non-slip treads when using your Wood Chipper. If you have safety shoes, we recommend wearing them.
- G. Keep bystanders at least 50 feet away from your work area at all times. Stop the engine when another person or pet approaches.

## Safety for Children and Pets



### WARNING

Accidents can occur if the operator is not alert to the presence of children and pets. Always follow these precautions:

- A. Keep children and pets at least 50 feet from the working area and ensure they are under the watchful care of a responsible adult.
- B. Be alert and turn the machine off if children or pets enter the work area.
- C. Never allow children to operate the Wood Chipper.

## Safety with Gasoline Powered Machines



### WARNING

Gasoline is a highly flammable liquid. Gasoline also gives off flammable vapor that can be easily ignited and cause a fire or explosion. Never overlook the hazards of gasoline. Always follow these precautions:

- A. Never run the engine in an enclosed area or without proper ventilation as the exhaust from the engine contains carbon monoxide, which is an odorless, tasteless, and a deadly poisonous

gas.

- B. Store all fuel and oil in containers specifically designed and approved for this purpose and keep away from heat and open flame, and out of the reach of children.
- C. Replace rubber fuel lines and grommets when worn or damaged.
- D. Fill the gasoline tank outdoors, after the engine off and completely cooled. Don't handle gasoline if you or anyone nearby is smoking, or if you're near anything that could cause it to ignite or explode. Reinstall the fuel tank cap and fuel container cap securely.
- E. If you spill gasoline, do not attempt to start the engine. Move the machine away from the area of the spillage and avoid creating any source of ignition until the gas vapors have dissipated. Wipe up any spilled fuel to prevent a fire hazard and properly dispose of the waste.
- F. Allow the engine to cool completely before storing in any enclosure. Never store a machine that has gas in the tank, or a fuel container, near an open flame or spark such as a water heater, space heater, clothes dryer or furnace.
- G. Never adjust or repair with the engine running. Shut down the engine, **disconnect the spark plug wire**, keeping it away from the spark plug to prevent accidental starting, wait 5 minutes before adjusting or making repairs.
- H. Never tamper with the engine's governor setting. The governor controls the maximum safe operation speed and protects the engine. Over-speeding the engine is dangerous and will cause damage to the engine and to the other moving parts of the machine. If required, see your authorized dealer for engine governor adjustments.
- I. Keep combustible substances away from the engine when it is hot.
- J. Never cover the machine while the muffler is still hot.
- K. Do not operate the engine with the air cleaner or the carburetor air intake cover removed. Removal of such parts could create a fire hazard. Do not use flammable solutions to clean the air filter.
- L. The muffler and engine become very hot and can cause a severe burn; do not touch.

## General Safety



### WARNING

Operating this Wood Chipper safely is necessary to prevent or minimize the risk of death or serious injury. Unsafe operation can create several hazards for you. Always take the following precautions when operating:

- A. Your Wood Chipper is a powerful tool. Exercise extreme caution always. The machine is designed to Chip Woods. Do not use it for any other purpose.
- B. Know how to stop the Wood Chipper.
- C. Never operate your unit on a slippery, wet, muddy, or icy surface. Exercise caution to avoid slipping or falling.

- E. Never use the machine without ensuring that all guards and shields are in place.
- F. Never, under any conditions, remove, bend, cut, fit, weld, or otherwise alter standard parts on the Wood Chipper. This includes all shields and guards. Modifications to your machine could cause personal injuries and property damage and will invalidate your warranty.
- G. If the machine starts to make an unusual noise or vibrate, shut down the engine, disconnect the spark plug wire, keeping it away from the spark plug to prevent accidental starting, wait 5 minutes for engine to cool down, then inspect for damage. Vibration is generally a warning of trouble. Check damaged parts and clean, repair and/or replace as necessary.
- I. Before performing any maintenance or inspection procedure, shut down the engine, disconnect the spark plug wire keeping it away from the spark plug to prevent accidental starting, wait 5 minutes for machine to cool down.
- J. Never allow people who are unfamiliar with these instructions to use the Wood Chipper. Allow only responsible individuals who are familiar with these rules of safe operation to use your machine.
- K. Never overload or attempt to chip woods beyond our recommendation. It could result in personal injury or damage to the machine.
- L. While using, don't rush. When in doubt about the equipment or your surroundings stop the machine and take time to look things over.
- M. Never operate the machine when under the influence of alcohol, drugs, or medication.
- N. Use the machine only in daylight.
- O. Stay alert for hidden hazards in the material being processed.
- P. Keep all nuts and bolts tight and keep the equipment in good operating condition.
- Q. Don't forget no fuel and oil after the equipment left from the manufacturer.**
- R. Before first operating, it is necessary to test run the machine without material to ensure all hardware is secured.

### **Check all hardware for tightness before each operating**

#### **A Note to All Users**

List of warnings and cautions cannot be all-inclusive. If situations occur that are not covered by this manual, the operator must be precautious and operate this WOOD CHIPPER in a safe manner. Contact the dealers for assistance in your area.

## Getting Familiar with your Wood Chipper

---

It may be helpful to familiarize yourself with the controls and features of the Wood Chipper. If you have any question, please contact the QVTools Power King support at 1-800-344-3371 or Support@QVTools.com.

### Technical Specs

Model: PK0913DD

Max. Chipping Capacity: 2.8inch

Function: Chipping leaves, branches, crop straw and farming feed, etc.

Max. Blade Speed: 3600r/min

Engine: 6.5HP RH265 Kohler engine

Displacement: 196cc

Max Output:3600rpm

Starting System: Recoil

Fuel Type: 87 Octane Unleaded Gas w/ less than 10% Ethanol

Oil Weight: 10W-30 for most weather conditions. Please refer to Kohler Manual

Oil Capacity (REFILL): 0.63qt

Net Weight: 120lbs

Shipping Weight: 155lbs

Shipping Dimensions: 45" x 22" x 20"

### Note:

1. The above max. chipping capacity data comes from the test of the 90% of moisture content of bamboo and 80% of moisture content of paulownia. Due to the variety of to be chipped raw materials and differ from the hardness, tenacity, moisture content, the actual max. chipping capacity may be different from the above data.
2. The above blade max speed is tested under the condition that the engine max output turning speed is 3600 rpm.



# Operating the Wood Chipper

---



## WARNING

- A. Read and understand all instructions, safety precautions, and/or warnings listed in “General Safety Rules” before operating the WOOD CHIPPER. If any doubt or question arises about the correct or safe method of performing anything found in this manual, please contact the dealers in your area.
- B. When operating the Wood Chipper, make sure you are standing on the side of the entry chute. Do not stand directly in front of it. You must always stay in the safe operating area when feeding trees into the machine. Never place any part of your body into a position that causes an unsafe operating condition.
- C. Before loading and operating the Wood Chipper, always wear protective gear, including safety goggles, hearing protection, tight-fitting gloves without draw strings or loose cuffs, and steel-toed shoes.
- D. Knowing the correct and incorrect methods of chipping wood.
- E. Short & thick wood are not allowed to be chipped separately, for the safety of the operator and the good of the blades, they are better to be crushed with branches.
- F. Place larger end of branch first.

## Prepare:

1. Check engine condition.
2. Fill engine with right type engine oil (according engine manual). Change after 5 hours first use.
3. Check blade condition make sure the blade is not dull and the drum is not blocked.
4. Secure hardware. Always check blade bolts, and bar blade bolts.

## Starting

1. Position your Wood Chipper on flat, dry ground, and make sure the machine cannot be moved.
2. Make sure the fuel shut-off valve is in the “ON” position.
3. Move the multi-use control lever to the “CHOKE” position (should only be needed if the engine is cold).
4. Pull starter lightly until it stops, then pull rapidly to turn the engine.
6. Move the multi-use control lever slowly back to the “IDLE” position when the engine is running well.
7. If the Wood Chipper has not been running (cold engine), warm up the engine by running the

engine at idle for 3 to 4 minutes, then advance the engine throttle control to the maximum speed.

8. Always keep unit at full throttle when chipping.

### **Stopping**

Turn the Multi-Use lever to the OFF position.



### **WARNING**

Do not put your hands into the chute when loading. This is a very UNSAFE method and could result in injury to your hands.

### **When Blocked**

If the drum stops while chipping woods or branches, the engine should be stopped, and take out the debris which jammed the drum, and then restart the engine, and chip again.

# Maintenance

Regular maintenance is the way to ensure the best performance and long life of your machine.

Check all the parts regularly with 1-2 times monthly including bearing, blades, etc. Replace the blades as soon as the chipping performance begins to deteriorate. The blunt blades will lower working efficiency and cause the damage of machine.

Please refer to this manual and the engine manufacturer's user manual for maintenance procedures.



## WARNING

Before performing any maintenance procedure or inspection, stop the engine, wait five minutes to allow all parts to cool. Disconnect the spark plug wire, keeping it away from the spark plug.

## Regular Maintenance Checklist

Procedure	Before Each Use	Every 3 Hours	Every 25 Hours	Every 100 Hours
Check engine oil level	Δ			
Check general equipment condition and tighten bolts	Δ			
Check wedge for sharpness	Δ			
Check tire pressure			Δ	
Clean engine exterior and cooling			Δ	
Change Engine Oil	First time 5hours		Δ	
Replace air filter			Δ	
Replace spark plug				Δ

## Engine Service

Refer to the engine manufacturer's user manual for engine maintenance.

## Lubrication



### NOTICE

All Bearings of your Chipper are sealed units and should have sufficient lubricant to last the life of your machine with normal use.

## Tire Pressure

Recommended tire pressure is 10PSI.

## Blade Replacement

Put a log or wood branch to keep drum from rotating.

Put a rag under the blade to prevent any bolts from dropping into the drum.

Using a 13mm socket wrench break the bolts loose. Make sure to keep the socket square on the bolt and keep firm grip on the wrench to prevent slipping.

When installing, temporary thread locker is required.

Bolts should be hand tightened with a wrench and snugged down.

## Bar Blade Adjustment

Loosen but do not remove the 4 x 13mm bolt under the bar blade.

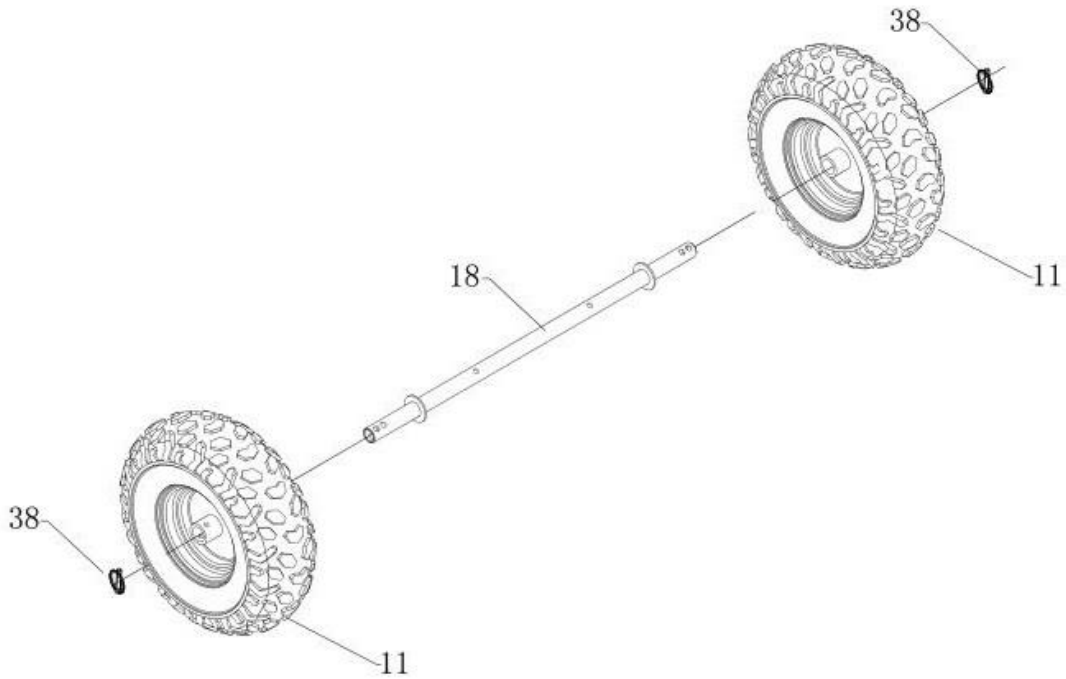
This will allow the bar blade to slide up and down.

The adjustment should be between 2-3mm close to the blade.

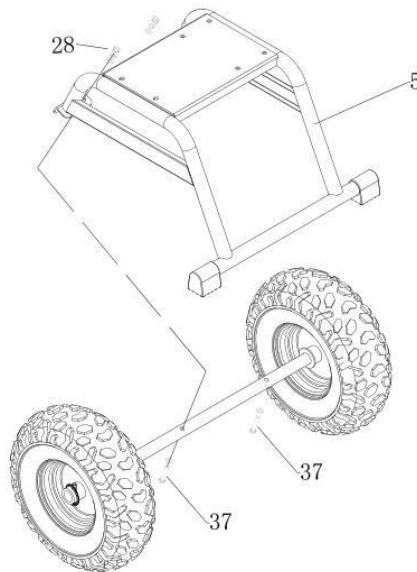
Use temporary type thread locker before re tightening.

# Assembly

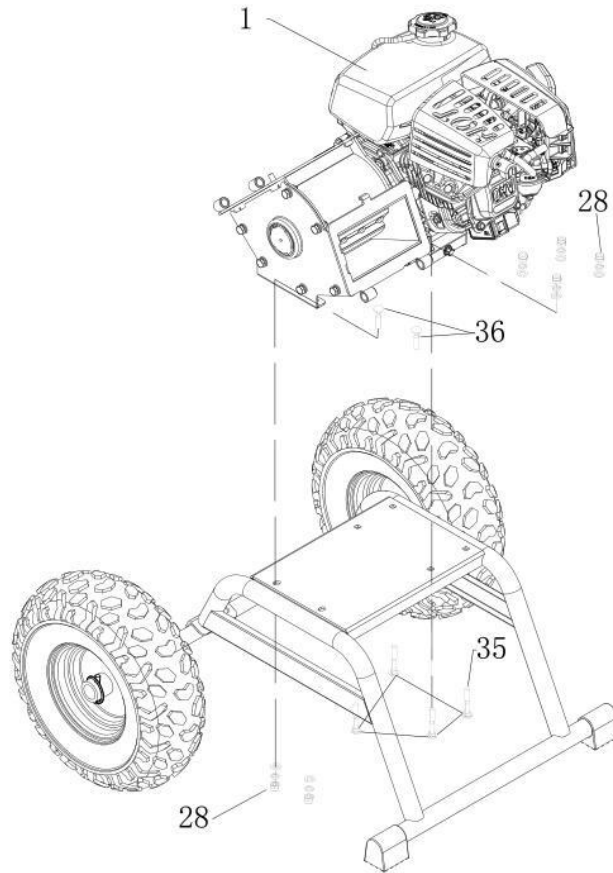
**Step 1:** Install wheels with Axle, affix with Pin.



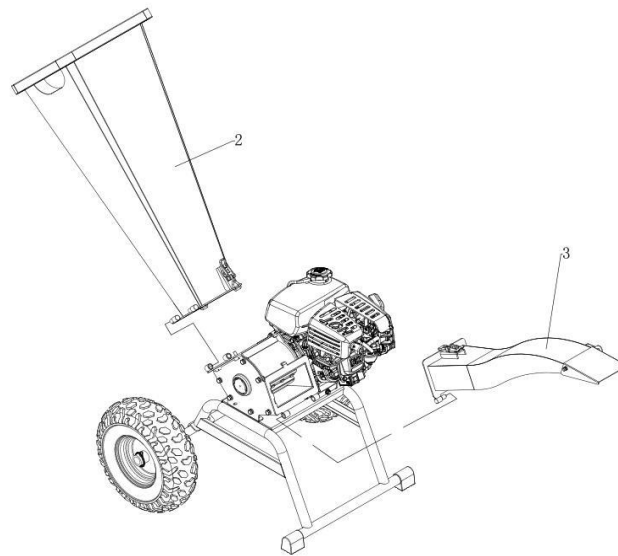
**Step 2:** Install the Axle on the frame by bolts, washers and nuts.



Step 3: Fix engine on the frame by bolts, washers and nuts.

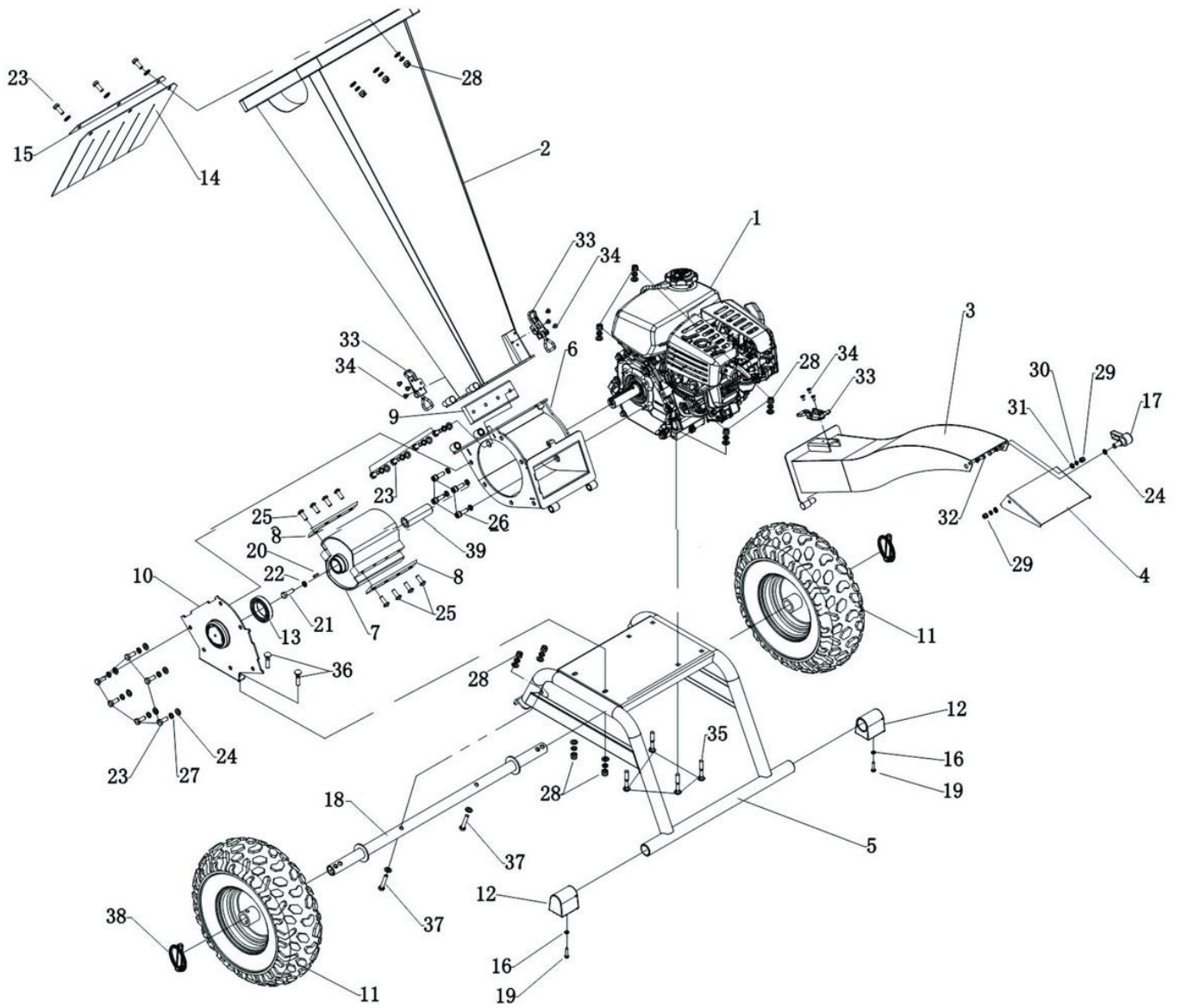


Step 4: Fix the feed hopper and discharge hopper on the frame, and locked by latch



## Troubleshooting

The common faults		Elimination method
1	The engine cannot be started	Read the engine users' manual, check the fuel ON-OFF valve and check proper oil level.
2	Engine flameout midway	Check if the engine is stopped by overloading, check if something blocked in the chipping hopper, check the emergency stop button and protection switch.
3	The hopper blocked	Stop the machine and remove hoppers. Check for blockage.
4	Has strange noise	Stop the machine, check all bolts and ensure they are tight.
5	The blade destroyed	Replace blades.
6	The material grinding not sufficient	Adjust the bar blade, the recommended gap for chipping is 2mm-3mm.





<b>No.</b>	<b>Specification</b>
1	Kohler RH265 Engine
2	Feed Hopper
3	Exit Hopper
4	Debris Diverter
5	Frame
6	Drum Housing
7	Drum
8	Blade
9	Bar Blade (Anvil)
10	Drum Housing Side Cover
11	Wheel
12	Rubber Stand
13	Drum Bearing
14	Rubber Guard
15	Rubber Guard Mount
16	Flat Washer
17	Adjusting Lock Handle
18	Axle
19	Tapping Bolt
20	Shaft Key
21	Shaft Bolt
22	Split Washer
23	Bolt
24	Flat Washer
25	Bolt
26	Bolt
27	Split Washer
28	Locknut
29	Locknut
30	Split Washer
31	Flat Washer
32	Bolt
33	Latch
34	Countersunk Head Bolt
35	Semicircular Head Square Bolt
36	Semicircular head square Bolt
37	Bolt
38	O-pin
39	Bushing

## WARRANTY POLICY

Thank you for choosing QV TOOLS products. We're here to ensure that your experience is perfect. In some rare instances, you may need some help with a warranty claim.

**Please call us at 1-800-344-3371 or E-mail support@qvtools.com.**

Product must be registered to activate the warranty. Warranty registration is below. Warranty begins from date of purchase.

### Engine Warranty

Kohler commercial engines are covered with a 3-year commercial and 3-year residential warranty for Command Pro series. Kohler residential engines are covered with a 2-year residential and 90-day commercial warranty. Parts and Labor are covered as well. Visit your Kohlerpower.com or call 1-800-465-6453 for warranty details

### Equipment warranty

Manufacture defects of chassis and component parts are covered for 1 year. Only parts are covered. Shipping cost is not covered.

QV Tools will replace any part that is proven to be defective in material or workmanship. This warranty is not valid for products or parts affected or damaged by accident, collision, normal wear, fuel contamination, abuse, neglect, misuse, alteration and/or unsuitable use or unauthorized parts. Transportation charges to and from service centers, if assigned, is not covered. Shipping cost of product for repair is not covered. Labor to repair equipment is not covered. Consumable parts such as brake pads, tires, racks, splines, grinding teeth, blades, bar blades, etc. are not covered under warranty. Power King has all replacement parts at value pricing.

### Damaged Products

You must take the time to inspect the goods before you sign the delivery receipt from the carrier. If you sign the delivery receipt without inspecting the shipment, you will be responsible for filing a freight claim and arranging for a repair or return of the damaged goods.

Concealed damage claims must be reported immediately.

### Suspected Damage

On occasion, the outer carton may look damaged, but the product inside the box is perfectly fine. If you suspect concealed damage, notate **"Possible Freight Damage" on the delivery receipt while the driver is present. This way, if you discover later that the product is damaged, the remedy of a freight claim is less of a hassle.**

### Obvious Damage

Do not sign for damaged products. If your product arrives damaged, **please (a) REFUSE DELIVERY and (b) Call where you purchased the item Immediately so the dealer can process the appropriate claims and coordinate an exchange for you.**

### Defective Products

We encourage you to test your product within 15 days of receipt so we can quickly remedy any mechanical problems. If you think your product is defective, **call QVTools at 1-800-344-3371**. In most cases, it's a simple issue that can be resolved over the phone. We have expert technicians standing by to help resolve your issue. Please have your model number and serial number available and your proof of purchase receipt for faster service.

### Original Owner Warranty

Warranty is non-transferable and covers the original owner only who purchased from a QVTOOLS authorized dealer.