

# CHAMPION

POWER EQUIPMENT™

OWNER'S MANUAL AND OPERATING INSTRUCTIONS



## 7 Ton LOG SPLITTER



MODEL NUMBER

**90720**

**SAVE THESE INSTRUCTIONS**  
Important Safety Instructions  
are included in this manual.

MADE IN CHINA  
REV 90720-20130129

10006 Santa Fe Springs Road  
Santa Fe Springs CA 90670  
USA / 1-877-338-0999  
[www.championpowerequipment.com](http://www.championpowerequipment.com)

**Have questions or need assistance?**

*Do not return this product to the store!*

**WE ARE HERE TO HELP!**

Visit our website:

**[www.championpowerequipment.com](http://www.championpowerequipment.com)**

for more info:

- Product Info & Updates
- Tech Bulletins
- Frequently Asked Questions
- Product Registration

– or –

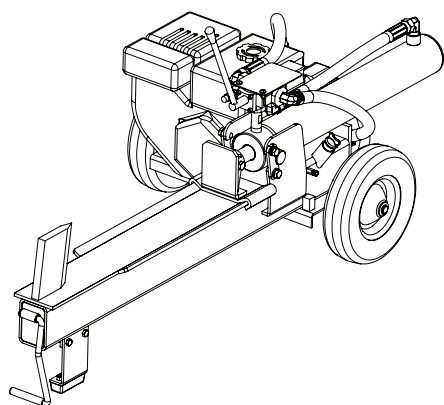
Call our Customer Care Team Toll-Free at:

**1-877-338-0999**

**WARNING:**

The Engine Exhaust from this product contains chemicals known to the State of California to cause cancer, birth defects or other reproductive harm.

\*We are always working to improve our products. Therefore, the enclosed product may differ slightly from the image on the cover.



# 7 Ton LOG SPLITTER

## TABLE OF CONTENTS

<b>Introduction</b> . . . . .	<b>1</b>	Cleaning . . . . .	16
Introduction . . . . .	1	Maintenance Schedule . . . . .	16
Portable Log Splitter . . . . .	1	Hydraulic Oil . . . . .	16
Accessories . . . . .	1	Storage . . . . .	17
This Booklet . . . . .	1	Log Splitter Storage . . . . .	17
<b>Manual Conventions</b> . . . . .	<b>2</b>	Engine stored for Less than 30 Days . . . . .	17
<b>Safety Rules</b> . . . . .	<b>3</b>	Engines Stored for Over 30 Days . . . . .	17
Training . . . . .	5	<b>Specifications</b> . . . . .	<b>18</b>
Preparation . . . . .	5	Log Splitter Specifications . . . . .	18
Operation . . . . .	6	Engine Specifications . . . . .	18
Maintenance and Storage . . . . .	6	Spark Plugs . . . . .	18
<b>Controls and Features</b> . . . . .	<b>7</b>	Maintenance Valve Clearance . . . . .	18
Log Splitter . . . . .	7	Hydraulic Oil System . . . . .	18
<b>Assembly</b> . . . . .	<b>8</b>	Fuel . . . . .	18
Open Shipping Crate . . . . .	8	Oil . . . . .	18
1) Install the Wheels to the Wheel Mount . . . . .	8	Parts Diagram . . . . .	19
2) Install the Support Foot . . . . .	8	Parts List . . . . .	20
3) Install the Beam onto the Wheel Mount . . . . .	8	Engine Parts Diagram . . . . .	21
4) Install the Engine to the Wheel Mount . . . . .	8	Engine Parts List . . . . .	22
5) Install the Cylinder to the Beam . . . . .	9	<b>Troubleshooting</b> . . . . .	<b>23</b>
6) Install the Ram Bracket to the Cylinder . . . . .	9	<b>Warranty</b> . . . . .	<b>24</b>
7) Install the Handle . . . . .	9	Warranty Qualifications . . . . .	24
8) Install the Hoses . . . . .	9	Repair/Replacement Warranty . . . . .	24
Add Engine Oil . . . . .	10	Do Not Return The Unit To The Place Of Purchase . . . . .	24
Add Hydraulic Oil . . . . .	10	Warranty Exclusions . . . . .	24
Add Engine Fuel . . . . .	11	Normal Wear . . . . .	24
<b>Operation</b> . . . . .	<b>12</b>	Installation, Use and Maintenance . . . . .	24
Before Each Use Inspect the Log Splitter . . . . .	12	Other Exclusions . . . . .	24
Log Splitter Location . . . . .	12	Limits of Implied Warranty and Consequential Damage . . . . .	24
Starting the Engine . . . . .	13	Contact Information . . . . .	24
Stopping the Engine . . . . .	13	Address . . . . .	24
Log Splitter Operation . . . . .	13	Customer Service . . . . .	24
<b>Maintenance and Storage</b> . . . . .	<b>15</b>	Technical Service . . . . .	24
Engine Maintenance . . . . .	15		
Oil . . . . .	15		
Spark Plugs . . . . .	15		
Air Filter . . . . .	15		
Log Splitter Maintenance . . . . .	15		

# INTRODUCTION

## Introduction

Congratulations on your purchase of a Champion Power Equipment log splitter. CPE designs and builds log splitters to strict specifications. With proper use and maintenance, this log splitter will bring years of satisfying service.

## Portable Log Splitter

This unit is a gasoline engine driven hydraulic log splitter. It is designed to split wood logs for use as firewood for a stove or fireplace. This log splitter will only split logs lengthwise, with the grain only.

## Accessories

Champion Power Equipment manufactures and sells accessories designed to help you get the most from your purchase. To find out more, please visit our website at:  
→ [www.championpowerequipment.com](http://www.championpowerequipment.com)

## This Booklet

Every effort has been made to ensure the accuracy and completeness of the information in this manual. We reserve the right to change, alter and/or improve the product and this document at any time without prior notice.

Record the model and serial numbers as well as date and place of purchase for future reference. Have this information available when ordering parts and when making technical or warranty inquiries.

<b>Champion Power Equipment Support</b>
<b>1-877-338-0999</b>
Model Number
<b>90720</b>
Serial Number
Date of Purchase
Purchase Location
For <b>Oil Type</b> see "Add Engine Oil" section. For <b>Fuel Type</b> see "Add Fuel" section.

This manual uses the following symbols to help differentiate between different kinds of information. The safety symbol is used with a key word to alert you to potential hazards in operating and owning power equipment.

Follow all safety messages to avoid or reduce the risk of serious injury or death.

 **DANGER**

DANGER indicates an imminently hazardous situation which, if not avoided, **will** result in death or serious injury.

 **WARNING**

WARNING indicates a potentially hazardous situation which, if not avoided, **could** result in death or serious injury.

 **CAUTION**

CAUTION indicates a potentially hazardous situation which, if not avoided, **may** result in minor or moderate injury.

**CAUTION**

CAUTION used without the safety alert symbol indicates a potentially hazardous situation which, if not avoided, **may** result in property damage.

 **NOTE**

If you have questions regarding your log splitter, we can help. Please call our help line at **1-877-338-0999**

# SAFETY RULES

## WARNING

Read this manual thoroughly before operating your log splitter. Failure to follow instructions could result in serious injury or death.

## WARNING

The engine exhaust from this product contains chemicals known to the state of California to cause cancer, birth defects, or other reproductive harm.

## DANGER

Log Splitter engine exhaust contains carbon monoxide, a colorless, odorless, poison gas. Breathing carbon monoxide will cause nausea, dizziness, fainting or death. If you start to feel dizzy or weak, get to fresh air immediately.

Operate log splitter outdoors only in a well ventilated area. DO NOT operate the log splitter inside any building, enclosure or compartment. DO NOT allow exhaust fumes to enter a confined area through windows, doors, vents or other openings. **DANGER CARBON MONOXIDE**, using a log splitter indoors **CAN KILL YOU IN MINUTES**.

## DANGER

Rotating parts can entangle hands, feet, hair, clothing and/or accessories. Traumatic amputation or severe laceration can result.

Keep hands and feet away from rotating parts. Tie up long hair and remove jewelry. Operate equipment with guards in place. DO NOT wear loose-fitting clothing, dangling drawstrings or items that could become caught.

## WARNING

Operation of this equipment may create sparks that can start fires around dry vegetation.

A spark arrestor may be required. The operator should contact local fire agencies for laws or regulations relating to fire prevention requirements.

## DANGER

Sparks can result in fire or electrical shock.

### When servicing the engine:

Disconnect the spark plug wire and place it where it cannot contact the plug. DO NOT check for spark with the plug removed. Use only approved spark plug testers.

## WARNING

Running engines produce heat. Severe burns can occur on contact. Combustible material can catch fire on contact.

DO NOT touch hot surfaces. Avoid contact with hot exhaust gases. Allow equipment to cool before touching. Maintain at least three feet of clearance on all sides to ensure adequate cooling. Maintain at least five feet of clearance from combustible materials.

## WARNING

Crush Hazard

Wedge can cut through skin and break bones. Keep all limbs away from wedge and endplate.

## WARNING

Projectile Hazard

Pieces of log may be ejected from the splitter while operating. **Wear ANSI approved safety glasses when operating. Be alert.**

## WARNING

Keep Operator Work Zone Clear

Keep work zone clear of debris while working to ensure safe footing.

**⚠ DANGER**

Skin Injection Hazard. High pressure hydraulic oil can inject under your skin.

Make sure all fittings are tightly secure before applying pressure. Relieve system of pressure before servicing.

**⚠ WARNING****Towing Hazard**

ALWAYS check all local and state regulations regarding towing, licensing and lights before towing your log splitter. Review towing safety warnings in your towing vehicle manual.

Drive safely. Be aware of the added length of the log splitter. NEVER ride or transport cargo on the log splitter. Choose a level surface to operate the log splitter.

**NEVER EXCEED MAX. Towing Speed 15 MPH (24 KPH)**

**⚠ WARNING**

Rapid retraction of the starter cord will pull hand and arm towards the engine faster than you can let go. Unintentional startup can result in entanglement, traumatic amputation or laceration. Broken bones, fractures, bruises or sprains could result.

When starting engine, pull the starter cord slowly until resistance is felt and then pull rapidly to avoid kickback.

**⚠ CAUTION**

Parts of the hydraulic circuit (cylinder, pump, valve-body, hoses) can become very hot during operation.

**⚠ DANGER**

Fuel and fuel vapors are highly flammable and extremely explosive. Fire or explosion can cause severe burns or death. Unintentional startup can result in entanglement, traumatic amputation or laceration.

**When adding or removing fuel:**

Turn the engine off and let it cool for at least two minutes before removing the fuel cap. Loosen the cap slowly to relieve pressure in the tank. Only fill or drain fuel outdoors in a well-ventilated area. DO NOT pump gas directly into the engine at the gas station. Use an approved container to transfer the fuel to the engine. DO NOT overfill the fuel tank. Always keep fuel away from sparks, open flames, pilot lights, heat and other sources of ignition. DO NOT light or smoke cigarettes.

**When starting the engine:**

DO NOT attempt to start a damaged engine. Make certain that the gas cap, air filter, spark plug, fuel lines and exhaust system are properly in place. Allow spilled fuel to evaporate fully before attempting to start the engine. Make certain that the log splitter is resting firmly on level ground.

**When operating the log splitter:**

DO NOT move or tip the log splitter during operation. DO NOT tip the log splitter or allow fuel or oil to spill from the engine. Block the wheels to prevent unintended movement.

**When transporting or servicing the log splitter:**

Make certain that the fuel shutoff valve is in the off position and the fuel tank is empty.

Disconnect the spark plug wire.

**When storing the log splitter:**

Store away from sparks, open flames, pilot lights, heat and other sources of ignition.

**⚠ CAUTION**

Improper treatment or use of the log splitter can damage it, shorten its life and void your warranty.

Use the log splitter only for intended uses. Operate only on level surfaces. DO NOT expose log splitter to excessive moisture, dust, or dirt.

DO NOT allow any material to block the cooling slots. DO NOT use the engine if:

- Equipment sparks, smokes or emits flames
- Equipment vibrates excessively

# SAFETY RULES

## Training

1. Read the Operator's Manual completely before attempting to use this log splitter.
2. Do not allow anyone to operate your log splitter who has not read the Operator's Manual or has not been instructed on the safe use of the log splitter.
3. Never allow children or untrained adults to operate this machine.
4. Many accidents occur when more than one (1) person operates the log splitter. If a helper is assisting in loading logs to be split, never actuate controls until helper is clear of the area.
5. Never allow anyone to ride on the machine.
6. Never transport cargo on the log splitter.
7. High fluid pressures are developed in hydraulic log splitters. Pressurized hydraulic fluid escaping through a pin hole opening can puncture skin and cause sever blood poisoning. Therefore, the following instructions should be heeded at all times.
  - a. Do not operate the unit with frayed, kinked, cracked or damaged hoses, fittings, or tubing.
  - b. Stop the engine and relieve hydraulic system pressure before changing or adjusting fittings, hoses, tubing, or other system components.
  - c. Do not adjust the pressure settings of the pump or valve.
  - d. Do not check for leaks with your hand. Leaks can be detected by passing cardboard or wood over the suspected area. Look for discoloration. If injured by escaping fluid, see a doctor at once. Serious infection or reaction can develop if proper medical treatment is not administered immediately.
8. Keep the operator zone and adjacent area clear for safe, secure footing.
9. If your log splitter is equipped with an internal-combustion engine and intended for use near any unimproved forest, brush, or grass covered land, the engine exhaust should be equipped with a spark arrestor. Make sure you comply with local, state, and federal codes. Take appropriate fire-fighting equipment with you.
10. Log splitters should be used only for splitting wood. Do not use for other purposes unless the manufacturer provides attachments and instructions.

## Preparation

1. Be thoroughly familiar with all controls and with proper use of the equipment.
2. Safety Gear:
  - a. Always wear safety shoes or heavy boots when operating the machine.
  - b. Always wear safety glasses or goggles when operating the machine.
  - c. Never wear jewelry or loose-fitting clothing that might become entangled in moving or rotating parts of the machine.
3. Make sure the splitter is on a level surface. Block tires and ensure support leg is secure to prevent unintended movement of the log splitter during operation.
  - a. Always operate the splitter from the manufacturer's indicated operator zone.
4. Logs to be split on ram-type units should be cut as squarely as possible.
5. Fuel:
  - a. Use an approved fuel container.
  - b. Never add fuel to a running or hot engine.
  - c. Fill fuel tank outdoors with extreme care. Never fill fuel tank indoors.
  - d. Replace gasoline cap securely and clean up any spilled fuel.



## Operation

1. Before starting this log splitter, review all safety rules. Failure to follow these rules may result in serious injury to the operator or bystanders.
2. Be sure to confirm all hose connections and hose clamps are tight before each use. It is possible for connections to vibrate loose over time.
3. Never leave the machine unattended with the power source operating.
4. Never operate the machine when under the influence of alcohol, drugs or medication.
5. The machine owner should instruct all operators in safe log splitter operation.
6. Always operate the log splitter with all safety equipment in place and all controls properly adjusted for safe operation.
7. Always operate the log splitter at manufacturer's recommended speed.
8. Always keep hands and feet clear of moving parts.
9. When loading a ram-type log splitter, place your hands on the sides of the log, not the ends. Never place your hands or any part of your body between a log and any part of the log splitter.
10. On ram-type log splitters, never attempt to split more than one (1) log at a time unless the ram has been fully extended and a second log is needed to complete the separation of the first log.
11. On ram-type log splitters on which the logs are not cut square, the longest portion of the log should be rotated down and the most square end placed against the ram.
12. Use only your hand to operate the log splitter controls.
13. Do not refuel the engine until it has cooled for several minutes.

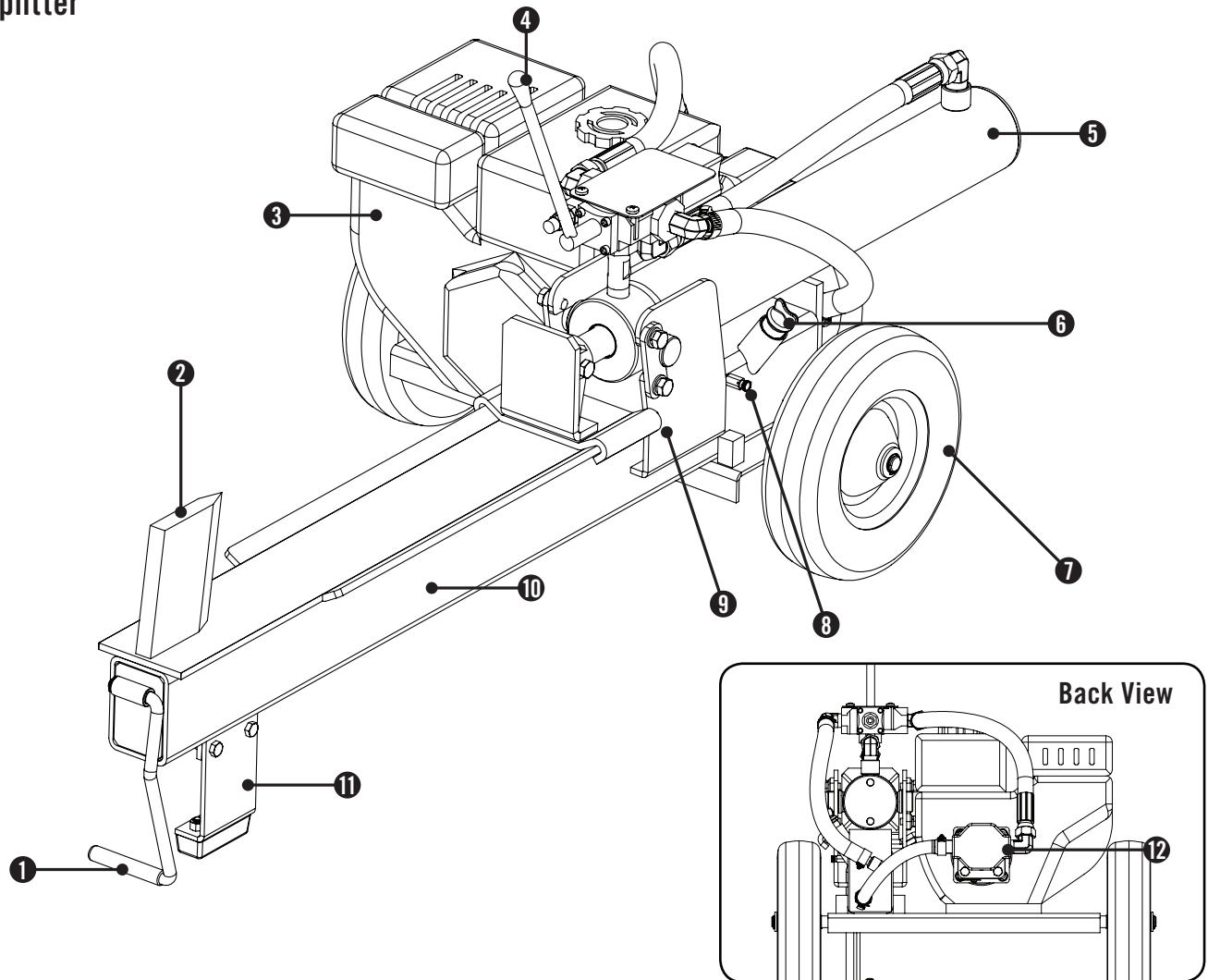
## Maintenance and Storage

1. Always shut off the power source while repairing or adjusting the splitter except as recommended by the manufacturer.
2. Clean debris and chaff from the engine cylinder, cylinder head fins, recoil starter cover, and muffler areas. If the engine is equipped with a spark arrestor muffler, clean and inspect it regularly (follow manufacturer's service instructions). Replace, if damaged.
3. Never store the unit indoors with fuel in the tank. Fumes might reach an open flame spark. Allow the engine to cool before storing in any enclosure.
4. Clear debris from moveable parts, but only when the power source is shut off.
5. Check to be sure all nuts and bolts are tight to assure the equipment is in safe working condition.

# CONTROLS AND FEATURES

Read this owner's manual before operating your log splitter. Familiarize yourself with the location and function of the controls and features. Save this manual for future reference.

## Log Splitter



- |   |   |
|---|---|
| <p>(1) <b>Handle</b></p> <p>(2) <b>Wedge</b></p> <p>(3) <b>Engine</b> – 80cc, OHV, 4-stroke, air cooled.</p> <p>(4) <b>Control Valve Handle</b> – Controls the movement of the thrust plate.</p> <p>(5) <b>Hydraulic Cylinder</b> – Converts hydraulic pressure into linear force.</p> <p>(6) <b>Hydraulic Oil Dipstick</b></p> | <p>(7) <b>Wheels</b></p> <p>(8) <b>Hydraulic Vent Screw</b> – Vents hydraulic oil tank.</p> <p>(9) <b>Mounting Plates</b> – Holds hydraulic cylinder in place.</p> <p>(10) <b>Splitting Beam &amp; Log Cradle</b> – Prevents log from rolling off the beam.</p> <p>(11) <b>Support Leg</b> – Supports log splitter while operating.</p> <p>(12) <b>Hydraulic Pump</b> – Pumps hydraulic oil through the system.</p> |
|---|---|

Your log splitter requires some assembly.

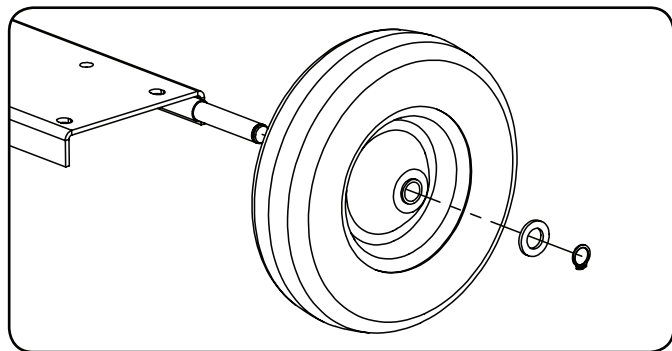
If you have any questions regarding the assembly of your log splitter, call our help line at 1-877-338-0999. Please have your serial number and model number available.

## Open Shipping Crate

1. Set the shipping crate on a solid, flat surface
2. Carefully cut the shipping bands and remove lid of shipping crate.
3. Locate all hardware before beginning assembly.

## 1) Install the Wheels to the Wheel Mount

1. Slide the wheel onto the wheel mount.
2. Slide washer (#38) and snap ring (#39) onto the wheel mount bolt.
3. Repeat steps 1 and 2 for other wheel

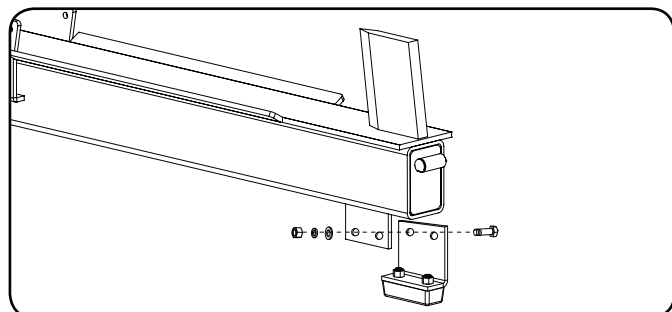


### NOTE

The snap ring requires snap ring pliers (O.D.). Available at hardware and auto part stores.

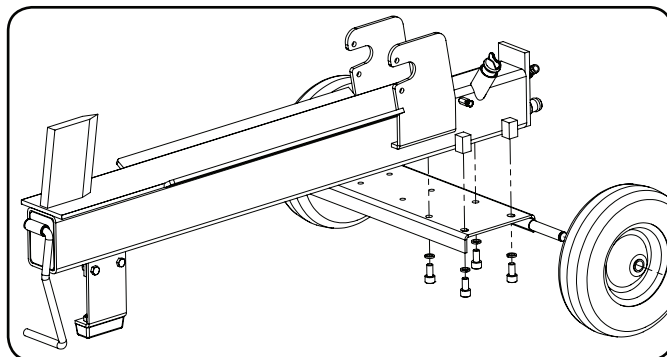
## 2) Install the Support Foot

1. Align the Support Foot with the mounting holes under the beam
2. Place the bolt through the hole
3. Place a washer and lock washer on the end of the bolt.
4. Install the nut on the bolt and tighten. Do not over tighten.



## 3) Install the Beam onto the Wheel Mount

1. Align the 4 threaded blocks on the back of the beam over the 4 larger holes on the side of the wheel mount.
2. Thread an M10x20 bolt (#34) through a M10 washer (#22).
3. Thread the bolt and washer under the wheel mount up into the small blocks on the back of the beam and tighten.
4. Repeat steps 1-3 for the remaining 3 bolt and washer sets to complete the mounting of the beam to the wheel mount.

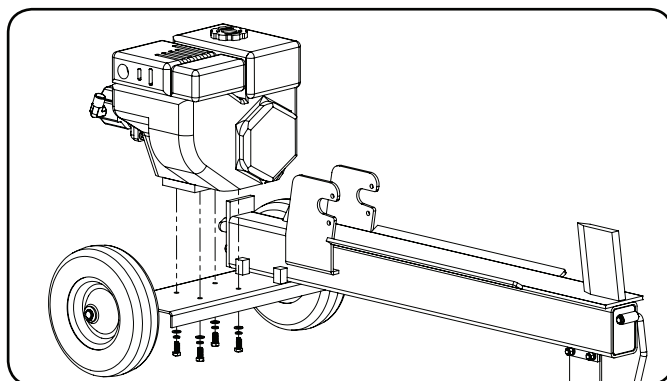


### NOTE

The beam should extend to the opposite side of the wheel mounts as shown.

## 4) Install the Engine to the Wheel Mount

1. Align the 4 holes on the base of the engine with the 4 smaller holes on the wheel mount.
2. Thread an M8x20 bolt (#36) through an M8 lock washer (#26) and M8 washer (#27).
3. Thread a bolt and washers set through a hole on the bottom of the wheel mount into the engine and tighten.
4. Repeat steps 1-3 for the remaining 3 bolt and washer sets to complete mounting of the engine to the wheel mount.



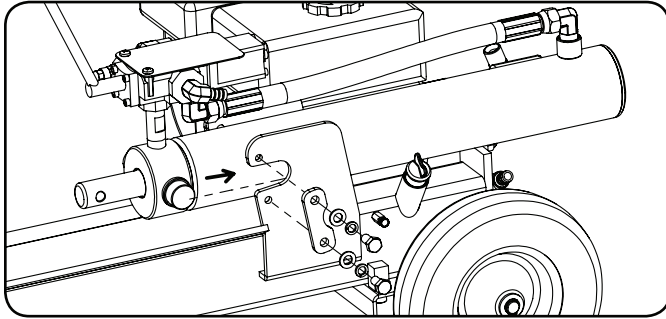
### NOTE

The recoil side of the engine should point the same direction as the beam as shown.

# ASSEMBLY

## 5) Install the Cylinder to the Beam

1. Slide the cylinder pegs into the cylinder mounting slots on the top of the beam.
2. Secure the cylinder retention plates (#20) with M10x20 bolts (#23) M10 lock washers (#22) and M10 washers (#21).

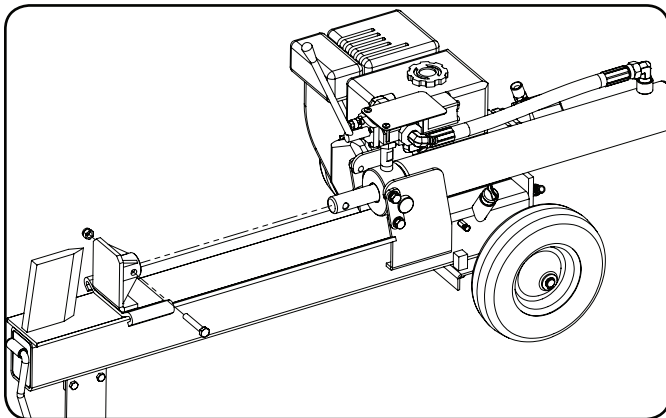


### NOTE

The cylinder should extend in the opposite direction of the beam as shown.

## 6) Install the Ram Bracket to the Cylinder

1. Slide the ram bracket (#2) over the rod on the cylinder being sure to align the bolt holes.
2. Insert the M10x60 bolt (#3) through the ram bracket and cylinder rod.
3. Secure the bolt with M10 lock nut (#1). Do not over tighten.

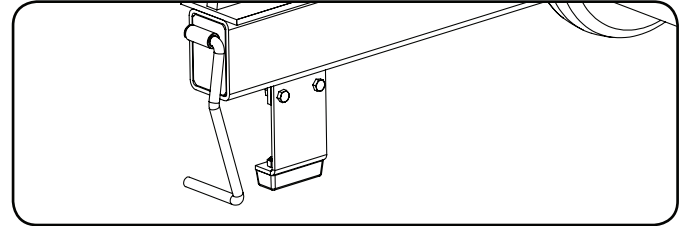


### NOTE

A screwdriver can be inserted into the cylinder rod's bolt hole to rotate to proper position prior to installing the ram bracket.

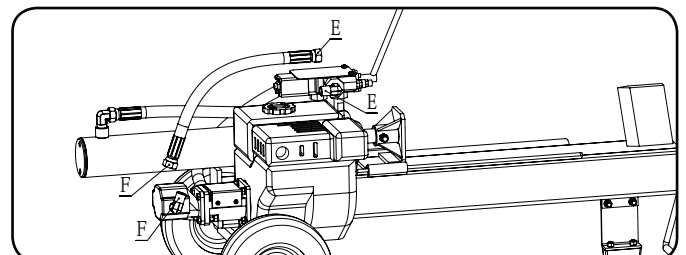
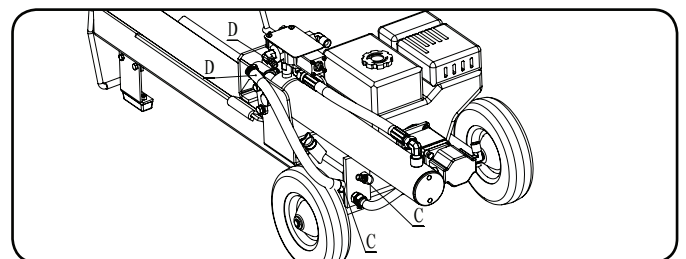
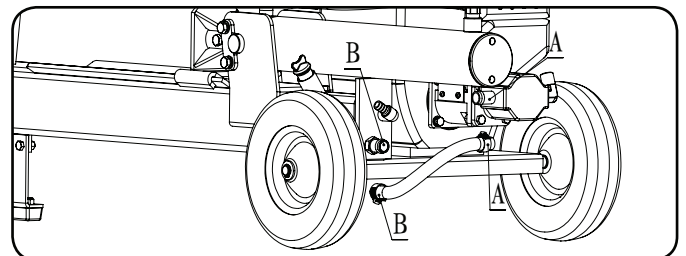
## 7) Install the Handle

1. Slide the handle (#31) into the tube bracket on the end of the beam.
2. Secure with clip ring (#32).



## 8) Install the Hoses

1. Use 2 hose clamps (#9) to install the clear suction hose (#19) from the pump inlet (A) to of the back of the beam/tank (B) as shown.
2. Use 2 hose clamps (#9) to install the oil return hose (#10) from the control valve outlet (D) to the back of the beam/tank as shown (C).
3. Connect one end of the high-pressure hose (#40) to the control valve outlet (E) and tighten approximately ¼ turn past finger tight.
4. Rotate/adjust the high-pressure hose (#40) to run to the inside of the fuel cap on the engine.
5. Thread the other end of the high-pressure hose (#40) to the pump outlet (F) and tighten approximately ¼ turn past finger tight.



## Add Engine Oil

### ! CAUTION

DO NOT attempt to crank or start the engine before it has been properly filled with the recommended type and amount of oil. Damage to the log splitter as a result of failure to follow these instructions will void your warranty.

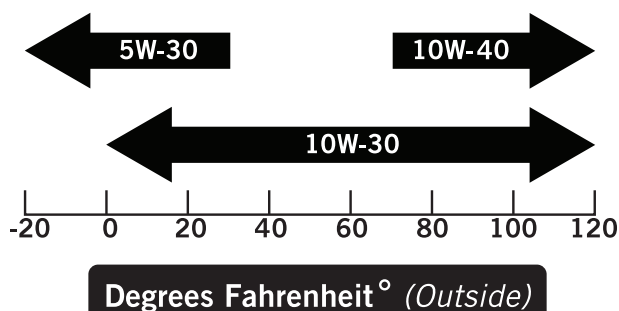
1. Make sure the log splitter is on a flat, level surface.
2. Remove oil fill cap/dipstick to add oil.
3. Add up to 0.42 qt (0.4 L) of oil. Replace oil fill cap/dipstick. DO NOT OVERFILL.
4. Check engine oil level daily and add as needed.

### CAUTION

The engine is equipped with a low-oil-shutoff and will stop when the oil level in the crankcase falls below the threshold level.

### NOTE

Check oil often during the break-in period. Refer to the Maintenance section for recommended service intervals.



## Add Fuel

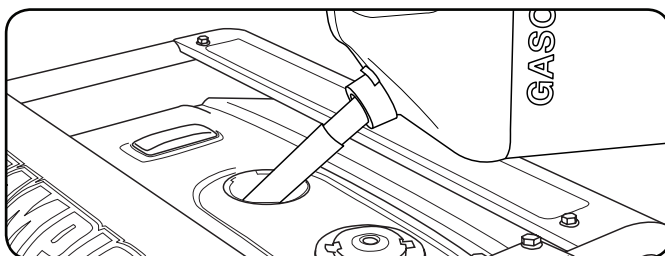
1. Use clean, fresh, regular unleaded fuel with a minimum octane rating of 85 and an ethanol content of less than 10% by volume.
2. DO NOT mix oil with fuel.
3. Clean the area around the fuel cap.
4. Remove the fuel cap.

### ! WARNING

Pouring fuel too fast through the fuel screen may result in blow back of fuel at the operator while filling.

## Add Fuel Cont'd.

5. Slowly add fuel to the tank. DO NOT OVERFILL. Fuel can expand after filling. A minimum of ¼ in. (0.64 cm) of space left in the tank is required for fuel expansion, more than ¼ in. (0.64 cm) is recommended. Fuel can be forced out of the tank as a result of expansion if it is overfilled, and can affect the stable running condition of the product. When filling the tank, it is recommended to leave enough space for the fuel to expand.
6. Screw on the fuel cap and wipe away any spilled fuel.



### ! CAUTION

Use regular unleaded gasoline with a minimum octane rating of 85.

Do not mix oil and gasoline.  
 Fill tank to approximately ¼ in. (0.64 cm) below the top of the tank to allow for fuel expansion.  
 DO NOT pump gas directly into the generator at the gas station. Use an approved container to transfer the fuel to the generator.  
 DO NOT fill fuel tank indoors.  
 DO NOT fill fuel tank when the engine is running or hot.  
 DO NOT overfill the fuel tank.  
 DO NOT light cigarettes or smoke when filling the fuel tank.

### NOTE

Our engines work well with 10% or less ethanol blend fuels. When using blended fuels there are some issues worth noting:

- Ethanol-gasoline blends can absorb more water than gasoline alone.
- These blends can eventually separate, leaving water or a watery goo in the tank, fuel valve and carburetor.
- With gravity-fed fuel supplies, this compromised fuel can be drawn into the carburetor and cause damage to the engine and/or potential hazards.
- There are only a few suppliers of fuel stabilizer that are formulated to work with ethanol blend fuels.
- Any damages or hazards caused by using improper fuel, improperly stored fuel, and/or improperly formulated stabilizers, are not covered by manufacture's warranty.

It is advisable to always shut off the fuel supply, run the engine to fuel starvation and drain the tank when the equipment is not in use for more than 30 days.

# ASSEMBLY

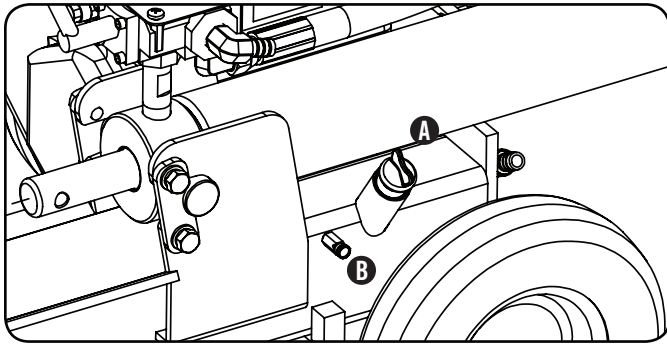
## Add Hydraulic Oil

1. Make sure the log splitter is on a flat, level surface.
2. Remove the dipstick from the oil tank. (A)
3. Using your fingers, open the hydraulic vent screw by turning it counter clockwise approximately 2-3 times. (B)
4. Add 0.87 gal. (3.3 L) of hydraulic oil - 10W AW32, ASLE H-150, or ISO 32.

### NOTE

When the outdoor temperature is below 32 °F, Dexron III transmission fluid can be used.

5. Check the hydraulic oil level using dipstick. Oil level should be between the two marks on the dipstick. (A)



6. Replace and tighten the dipstick.
7. Start engine (see Starting the Engine in the Operation section).
8. Extend and retract the cylinder to purge air from the hydraulic system. Cylinder motion should be smooth and continuous.
9. Shut-off engine (see Stopping the Engine in the Operation section).
10. Check the hydraulic oil tank dipstick. Add additional hydraulic oil if needed.
11. Check oil level daily and add as needed.

### NOTE

To check oil level, insert the dipstick into fill neck until it stops. Remove and read level. Do not thread dipstick into fill neck when checking oil.

### NOTE

Failure to open the hydraulic vent screw will cause pressure build-up due to heat. This creates difficulty during maintenance and operation.

## Add Hydraulic Oil Cont'd.

### NOTE

Always tighten the hydraulic vent screw when the engine is off and log splitter is not in use. When the vent screw is closed, it prevents dust, dirt, and debris from entering the tank. Closing the vent screw also prevents oil leakage when the log splitter is being transported.

### NOTE

While the hydraulic vent screw is open, some hydraulic oil may spill out during transportation and/or operation especially if the log splitter is not on a level surface.

### WARNING

DO NOT remove the dipstick when the engine is running or hot. Hot oil can escape causing severe burns. Always allow the log splitter to cool completely before removing the hydraulic oil dipstick. High fluid pressure and temperatures are created in the hydraulic log splitters. Hydraulic fluid will escape through a pin-size hole opening and can puncture skin and cause severe blood poisoning. Inspect hydraulic system regularly for possible leaks. Never check for leaks with your hand while the system is pressurized. Seek medical attention immediately if injured by escaping fluid.

## Before Each Use Inspect the Log Splitter

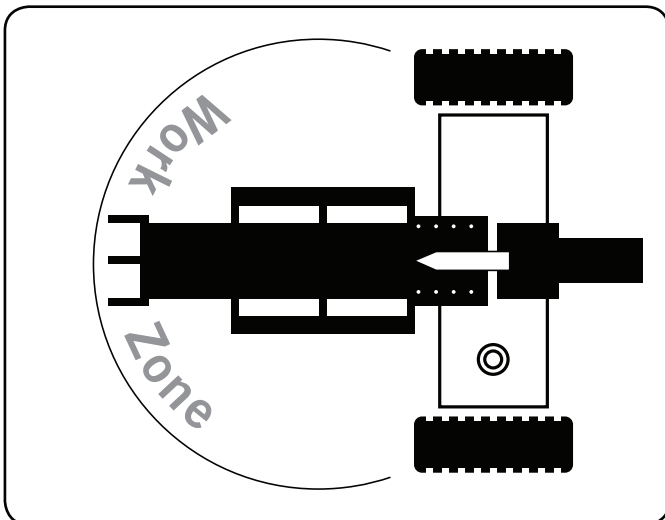
1. Check the hydraulic oil level and visually inspect all hoses, attachments and cylinder for loose fittings, leaks, cracks, fraying or other damage.
2. DO NOT operate the log splitter if there is any indication of damage.
3. Inspect the engine and make sure the oil level is correct before operating. If the engine is equipped with a spark arrestor, clean and inspect it regularly (follow spark arrestor maintenance schedule).

## Log Splitter Location

This log splitter must have at least seven feet of clearance from combustible material. Leave at least three feet of clearance on all sides of the log splitter to allow for adequate cooling, maintenance and servicing. DO NOT place the log splitter near vents or intakes where engine exhaust fumes could be drawn into occupied or confined spaces. **Always operate the log splitter outdoors.**

The log splitter needs to be on a dry level surface with good footing. DO NOT work on mud, ice, tall grass, brush or snow.

Only operate log splitter from work zone shown below.



## Log Splitter Location Cont'd.

### WARNING

ALWAYS use the log splitter for its intended use. The log splitter should only be used to split wood logs, length wise with the grain.

NEVER modify, alter or change the log splitter in anyway. Modifications will void the warranty.

NEVER attach a rope, cable or other device to the control lever on the log splitter.

DO NOT modify or change the engine and operating speeds or pressure settings. These changes can cause safety issues.

ONLY operate the log splitter in daylight.

NEVER operate, or let anyone else operate, the log splitter while under the influence of alcohol, drugs, or medication.

NEVER leave the log splitter unattended while the engine is running.

DO NOT change the splitting position with the engine running. Contact with the muffler can cause serious burns.

Always make sure the beam is in the locked position.

DO NOT let the beam drop as it could crush fingers or cause damage to the log splitter.

# OPERATION

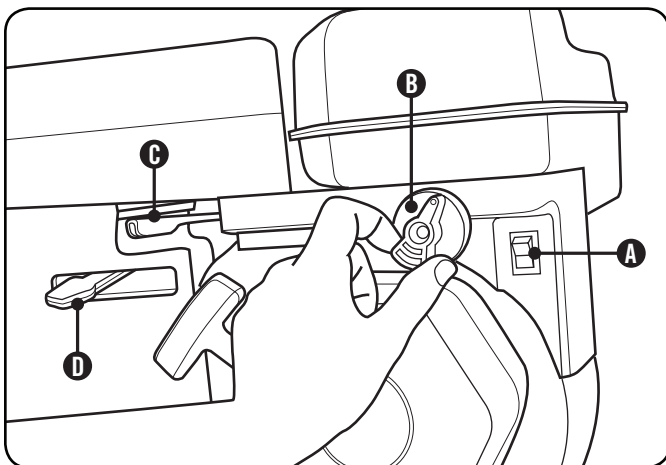
## Starting the Engine

1. Make certain the log splitter is on a flat, level surface.
2. Using your fingers, open the hydraulic vent screw by turning it counter clockwise approximately 2-3 times.
3. Flip engine switch to "ON" position (Item A).
4. Rotate the fuel valve to the "ON" position (Item B).
5. Move the throttle lever (Item C) to the "Fast" position.
6. Move the choke lever (Item D) to the "Choke" position.
7. Pull the starter cord slowly until resistance is felt and then pull rapidly. **SEE NOTE BELOW.**

### NOTE

Keep choke lever in "Choke" position for 2 pulls of the recoil starter. After second pull, move choke lever to the "Run" position for up to the next 3 pulls of the recoil starter. Too much choke leads to spark plug fouling/engine flooding due to the lack of incoming air. This will cause the engine not to start.

8. As engine warms up, move the choke lever (Item D) to "Run."



## Starting the Engine Cont'd.

### NOTE

If the engine starts but does not run make certain that the log splitter is on a flat, level surface. The engine is equipped with a low oil sensor that will prevent the engine from running when the oil level falls below a critical threshold. The hydraulic oil needs to be above 10° F (-12° C) before starting the engine. Cold hydraulic oil can damage the hydraulic pump. If outdoor air temperature is below 32° F (0° C) allow the log splitter to warm up by extending and returning the wedge several times before splitting wood.

## Stopping the Engine

1. Turn the fuel knob to the "Off" position. (B)
2. Let the engine run until fuel starvation has stopped the engine. This usually takes a few minutes.
3. Turn the engine switch to the "Off" position. (A)
4. Using your fingers, tighten the hydraulic vent screw by turning it clockwise approximately 2-3 times.

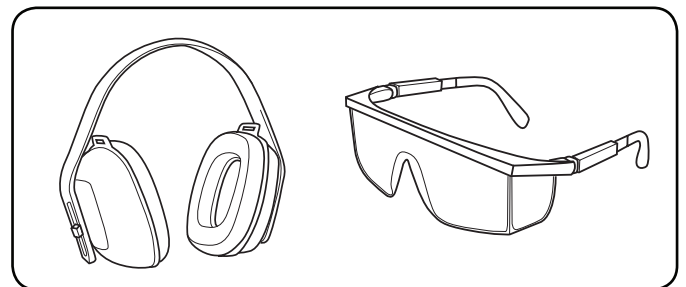
**Important:** Always ensure that the Fuel Valve and the Engine Switch are in the "OFF" position when the engine is not in use.

### NOTE

If the engine will not be used for a period of two (2) weeks or longer, please see the Storage section for proper engine and fuel storage.

## Log Splitter Operation

1. ALWAYS wear ear and eye protection, protective clothing and safety gear.



2. Block tires and ensure support leg is secure to prevent unintended movement of the log splitter during operation.



## Log Splitter Operation Cont'd.

**! CAUTION**

Back injury can result from lifting logs onto the log splitter if proper lifting techniques are not used.

3. Load a log onto the beam against the wedge.
4. Make sure all limbs are clear of crush zones.
5. Push and hold the control valve handle forward (towards the wedge) to split the log. The wedge will stop when the control valve handle is released, or when the cylinder reaches the end of stroke.
6. Push the control valve handle backward and release to return the wedge to its original position. The control valve handle will return to the neutral position when the wedge is fully retracted.
7. Clear the split wood from the work zone.

**! CAUTION**

Do not hold auto control valve in return position. It will damage the stop block or beam.

**NOTE**

It is normal for the hydraulic fluid to become foamy or frothy during operation.

**NOTE**

If log sticks on wedge, load another piece of wood and extend ram to push the stuck piece off the wedge.

**NOTE**

The cylinder stroke is designed so the wedge stops approximately 1.5 in. (3.81 cm) from the end plate.

# MAINTENANCE AND STORAGE

The owner/operator is responsible for all periodic maintenance.

## ⚠ WARNING

Never operate a damaged or defective log splitter.

## ⚠ WARNING

Improper maintenance will void your warranty.

## NOTE

For service or parts assistance, contact our help line at **1-877-338-0999**.

Complete all scheduled maintenance in a timely manner. Correct any issue before operating the log splitter.

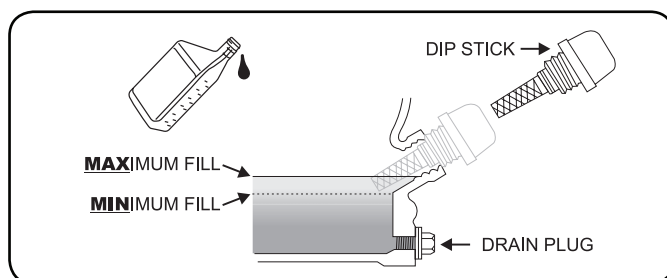
## Engine Maintenance

To prevent accidental starting, remove and ground spark plug wire before performing any service.

### Oil

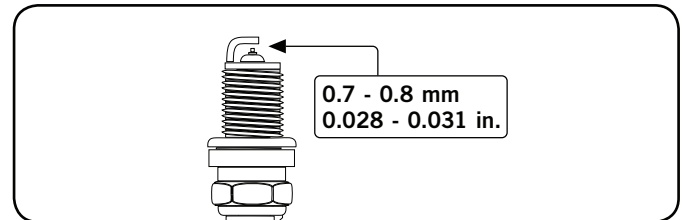
Change oil when the engine is warm. Refer to the oil specification to select the proper grade of oil for your operating environment.

1. Remove the oil drain plug with a 12 mm socket and extension.
2. Allow the oil to drain completely.
3. Replace the drain plug.
4. Remove oil fill cap/dipstick to add oil.
5. Add up to 0.42 qt. (0.4 L) of oil and replace oil fill cap/dipstick. **DO NOT OVERFILL.**
6. Dispose of used oil at an approved waste management facility.



## Spark Plugs

1. Remove the spark plug cable from the spark plug.
2. Inspect the electrode on the plug. It must be clean and not worn to produce the spark required for ignition.
3. Make certain the spark plug gap is 0.7 - 0.8 mm (0.028 - 0.031 in.).



4. Refer to the spark plug recommendation chart when replacing the plug.
5. Carefully thread the plug into the engine.
6. Use the spark plug tool to firmly install the plug.
7. Attach the spark plug wire to the plug.

## Air Filter

1. Unscrew wing nut to remove the air filter cover.
2. Unscrew wing nut to remove the air filter.
3. Separate the foam element and the paper element.
4. Tap the paper filter element to remove dirt and debris. Use compressed air (25 PSI) to clear debris.
5. For the foam element: Wash in liquid detergent and water. Squeeze thoroughly dry in a clean cloth.
6. Saturate in clean engine oil.
7. Squeeze in a clean, absorbent cloth to remove all excess oil.
8. Reassemble the two elements and reattach. Tighten wing nut.
9. Reattach the air filter cover and snap in place.

## Log Splitter Maintenance

Make certain that the log splitter is kept clean and stored properly. Only operate the unit on a flat, level surface in a clean, dry operating environment. **DO NOT** expose the unit to extreme conditions, excessive dust, dirt, moisture or corrosive vapours.

Inspect all air vents and cooling slots to ensure that they are clean and unobstructed.

Clean spark arrester every 100 hours (if equipped).

Check and tighten all bolts and nuts before operating the log splitter.

## Cleaning

### ⚠ CAUTION

DO NOT use a garden hose to clean the engine or log splitter.

Water can contaminate the fuel system and can enter the engine through the cooling slots and damage the engine.

Clear the debris from the beam, wedge and endplate. Use a damp cloth to clean exterior surfaces of the engine and log splitter.

Use a soft bristle brush to remove excess dirt and oil. Use an air compressor (25 PSI) to clear dirt and small debris. Wipe all metal parts with an oily rag to help prevent rust and corrosion.

## Maintenance Schedule

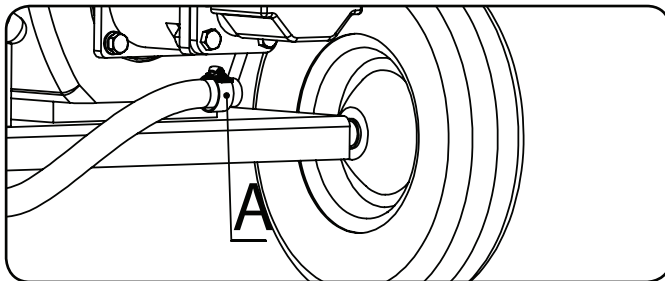
Follow the service intervals indicated in the schedule below. Service your log splitter more frequently when operating in adverse conditions. Contact our help line at **1-877-338-0999** to locate the nearest Champion Power Equipment authorized service dealer for your log splitter or engine maintenance needs.

Every 8 hours or daily	
	Check engine and hydraulic oil levels
	Clean around air intake and muffler
First 5 Hours	
	Change engine oil
Every 50 hours or every season	
	Clean air filter
	Change engine oil if operating under heavy load or in hot environments
Every 100 hours or every season	
	Change engine oil
	Clean/Adjust spark plug
	Check/Adjust valve clearance*
	Clean fuel tank and filter*
	Change hydraulic oil
Every year	
	Inspect wheel bearings and repack bearing grease as needed.
Every 3 years	
	Replace fuel line

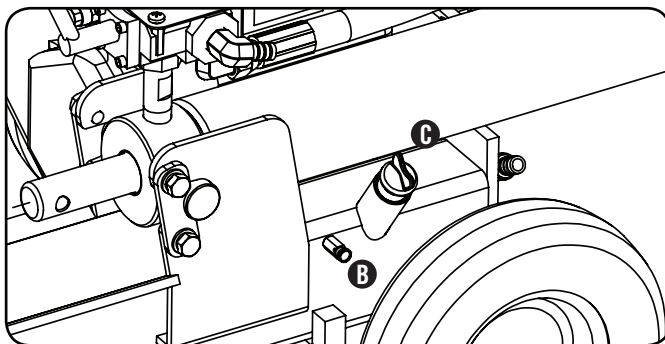
\*To be performed by knowledgeable, experienced owners or Champion Power Equipment certified dealers.

## Hydraulic Oil

1. Change hydraulic oil when the log splitter is warm.
2. Change after first 50 hours, then every 100 hours.
3. Place a collection pan or proper container under the clear suction hose.
4. Disconnect the clear suction hose from the pump inlet. (A)
5. Drain oil into a collection pan or proper container.
6. Reattach the clear suction hose to the pump. (A)



7. Using your fingers, open the hydraulic vent screw by turning it counter clockwise approximately 2-3 times. (B)
8. Remove dipstick and add 0.87 gallons (3.3 L) of hydraulic oil. (C)
9. Start engine and purge air from hydraulic system.



# MAINTENANCE AND STORAGE

## Storage

Refer to the Maintenance section for proper cleaning instructions.

### Log Splitter Storage

1. The log splitter needs to be cool for at least 5 minutes before storing.
2. Clean the log splitter before storage according to the Maintenance section.
3. Retract the wedge to protect the rod from corrosion.
4. Wipe the beam and wedge with an oily rag to prevent rust and corrosion.

### Engine Stored for Less than 30 Days

1. Allow the engine to cool completely before storage.
2. Clean engine according to the Maintenance section.
3. To extend the fuel storage life add a properly formulated fuel stabilizer to the tank.
4. Ensure the fuel valve is in the "OFF" position.

### Engines Stored for Over 30 Days

1. Add a properly formulated fuel stabilizer to the tank.
2. Run the engine for a few minutes so the treated fuel cycles through the fuel system and carburetor.
3. Turn the fuel valve to the "Off" position.
4. Let the engine run until fuel starvation has stopped the engine. This usually takes a few minutes.
5. The engine needs to cool completely before cleaning and storage.
6. Clean the engine according to the maintenance section.
7. Change the oil.
8. Remove the spark plug and pour about 1/2 ounce of oil into the cylinder. Using the Recoil, crank the engine slowly to distribute the oil and lubricate the cylinder.
9. Reattach the spark plug.

## Generator Storage Cont'd.

### DANGER

Engine exhaust contains odorless and colorless carbon monoxide gas.

To avoid accidental or unintended ignition of your engine during periods of storage, the following precautions should be followed:

- When **storing the engine for short or extended periods of time** make sure that the Engine Switch and the Fuel Valve are set in the **OFF** position.

### WARNING

Never store the log splitter inside next to appliances where there is a source of heat or open flame, spark or pilot light because they can ignite gasoline vapors.

DO NOT store a log splitter near fertilizer or any corrosive material.

Even with an empty gas tank, gasoline vapors could ignite.

## Log Splitter Specifications

- Ram Force . . . . . 7 Ton
- Cycle Time, Max . . . . . 20 seconds
- Hydraulic Tank Capacity . . . . . 0.87 gal. (3.3 L)
- Max Log Length . . . . . 20 in. (50.8 cm)
- Tire Size, Outside Diameter . . . . . 10 in. (25.4 cm)
- Engine. . . . . 80 cc, OHV, 4 stroke
- Cylinder size. . . . . 3 in. diameter (7.5 cm)
- Gear Pump. . . . . 2-stage
- Max pressure . . . . . 3000 psi
- Max flow . . . . . 3 GPM
- Control Valve . . . . . Detent (auto-return)
- **Overall Dimensions**
- Gross Weight . . . . . 167.6 lb. (76 kg)
- Net Weight. . . . . 143.3 lb. (65 kg)
- Height. . . . . 18.1 in. (46 cm)
- Width . . . . . 23.6 in. (60 cm)
- Length. . . . . 53.1 in. (135 cm)

## Engine Specifications

- Model . . . . . YF152F-2-000
- Displacement . . . . . 80 cc
- Type . . . . . 4-Stroke OHV
- Start Type . . . . . Recoil

## Spark Plugs

**OEM spark plug:** NHSP E6RTC

**Replacement spark plug:** NGK BPR6HS or equivalent  
 Make certain the spark plug gap is 0.7 - 0.8 mm or (0.028 - 0.031 in.).

## Maintenance Valve Clearance

- Intake: 0.13 – 0.17 mm (0.005 – 0.007 in.)
  - Exhaust: 0.18 – 0.22 mm (0.007 – 0.009 in.)
- Note: Tech bulletin regarding the valve adjustment procedure is on [www.championpowerequipment.com](http://www.championpowerequipment.com).

## Hydraulic Oil System

Oil capacity is 1.3 gallons (4.9 L).  
 Use types 10W AW32, ASLE H-150, ISO32 or universal hydraulic fluid.

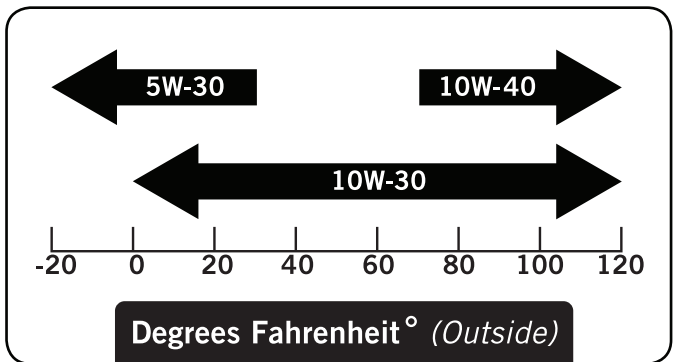
**NOTE**  
 When temperature is below 32° F (0°C) use universal tractor/transmission fluid.

## Fuel

Fuel capacity is 0.4 gallons (1.5 L). Use regular unleaded gasoline with a minimum octane rating of 85 and an ethanol content of less than 10% by volume.

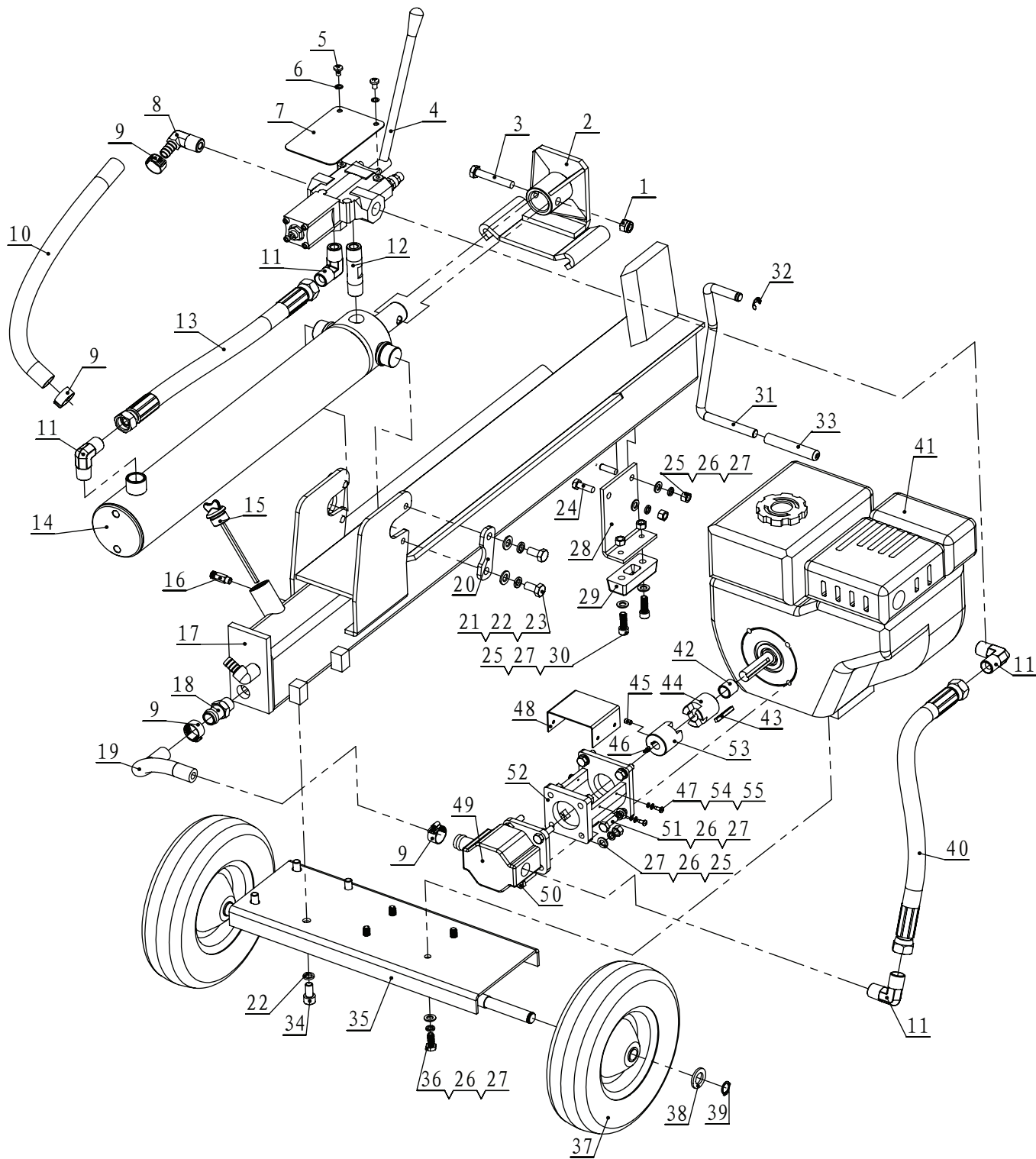
## Oil

Use 10W-30 automotive oil.  
 Oil capacity is up to 0.42 qt (0.4 L).  
**DO NOT OVERFILL.**  
 Please reference the following chart for recommended oil types for use in the log splitter.



# SPECIFICATIONS

## Parts Diagram

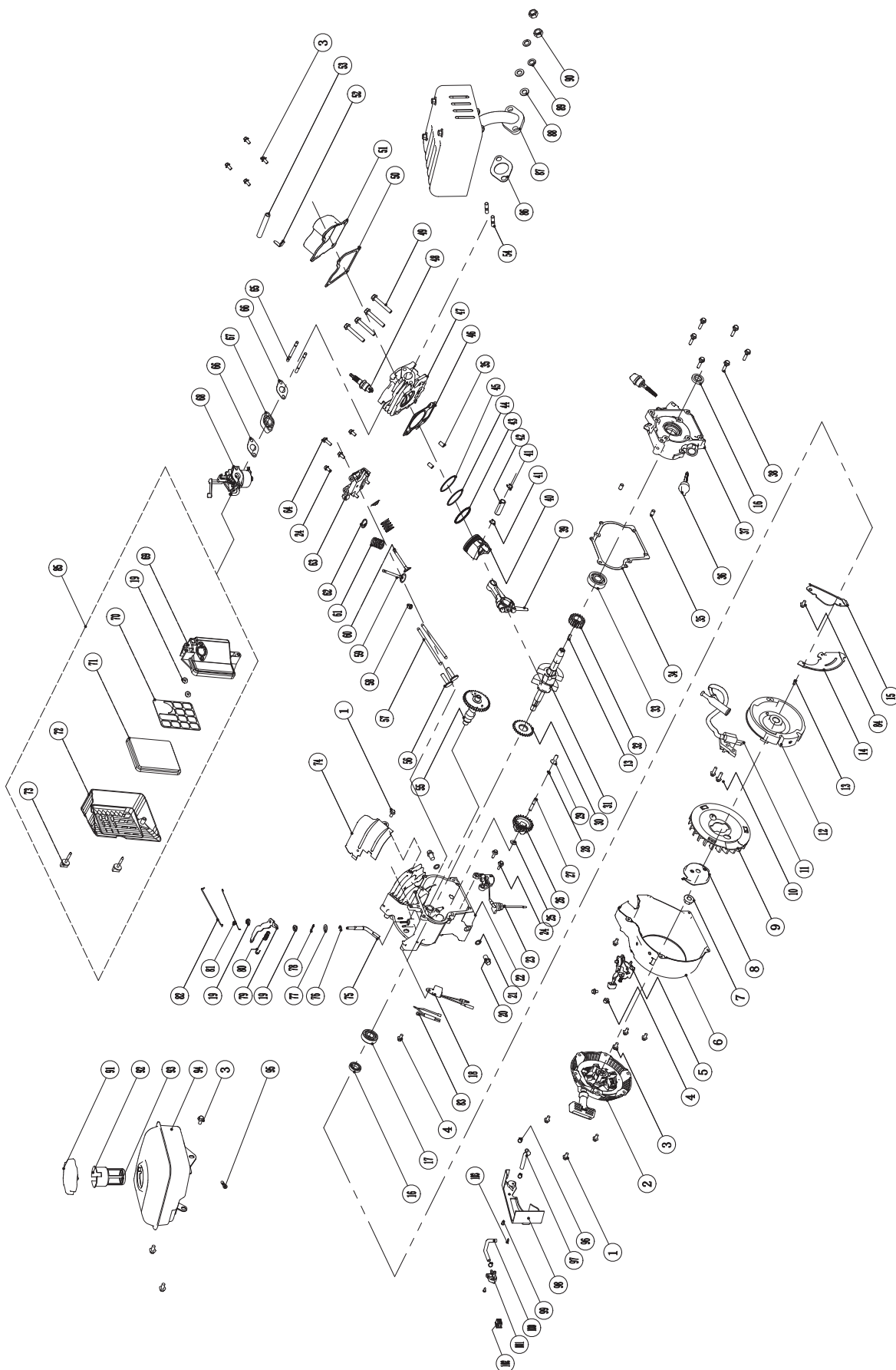


#	Part number	Description	Qty
1	GB/T 889.1-2000	Lock Nut M10	1
2	PMJ7-02	Bracket	1
3	GB/T 5782-2000	Bolt M10×60	1
4	PMJ7-21	Control Valve	1
5	GB/T 818-2000	Bolt M6×10	2
6	GB/T 93-1987	Lock Washer 6	2
7	PMJ7-23	Plate	1
8	PMJ7-16	Right Angle Joiner I	1
9	JB/T 8870 1999	Clamp d25	4
10	PMJ7-26	Hydraulic Hose(Valve - Oil Tank)	1
11	PMJ7-15	Right Angle Joiner II	4
12	PMJ7-22	Through Joiner II	1
13	PMJ7-25	Hydraulic Hose(Valve - Cylinder)	1
14	PMJ7-08	Cylinder	1
15	PMJ7-05	Dipstick	1
16	PMJ7-24	Air Valve	1
17	PMJ7-01	Beam	1
18	PMJ7-18	Through Joiner I	1
19	PMJ7-19	Oil Pipe	1
20	PMJ15-05	Cylinder Fixing Plate	2
21	GB/T 95-2000	Washer 10	4
22	GB/T 93-1987	Lock washer 10	8
23	GB/T 5781-2000	Bolt M10×20	4
24	GB/T 5780-2000	Bolt M8×25	2
25	GB/T 41-2000	Nut M8	8
26	GB/T 93-1987	Lock washer 8	14
27	GB/T 95-2000	Washer 8	16
28	PMJ7-04	Support Leg	1

#	Part number	Description	Qty
29	PMJ7-07	Rubber Damping Pad	1
30	GB/T 70.1-2000	Bolt M8×25	2
31	PMJ7-06	Handle	1
32	GB/T 896-86	E Ring 9	1
33	PMJ7-20	Handle Sheath	1
34	GB/T 70.1-2000	Bolt M10×20	4
35	PMJ7-03	Engine & Wheel Fixed Mount	1
36	GB/T 5783-2000	Bolt M8×20	4
37	PMJ7-10	10" Solid Wheel	2
38	GB/T 95-2000	Washer 16	2
39	GB/T 894.1-1986	Retaining Ring 16	2
40	PMJ7-11	Hydraulic Hose(Valve-Pump)	1
41	PMJ7-09	80cc Engine	1
42	PMJ7-12	Engine Bushing	1
43	PMJ7-13	Flat Key	1
44	PMJ7-14	Engine Connector	1
45	GB/T 77-2000	Screw M6×10	1
46	GB/T 1099-1979	Woodruff Key 3×5×13	1
47	GB/T 845F-1985	Tapping Screw ST4.2×10	4
48	PMJ22G-32	Connector Cover	1
49	PMJ7-17	Gear Pump	1
50	GB/T 5783-2000	Bolt M8×30	4
51	ASME B18.2.1 1996	Bolt 5/16"-24×1"	4
52	PMJ22G-27	Gear Pump Stand	1
53	PMJ22G-26	Gear Pump Connector	1
54	GB/T 93-1987	Lock washer 4	4
55	GB/T848-1985	Washer 4	4

# SPECIFICATIONS

## Engine Parts Diagram





#	Part Number	Description	Qty
1	1.5789.0610	Flange Bolt M6x10	4
2	12.061000.02	Recoil Assembly	1
3	1.16674.0612	Flange Bolt M6x12	11
4	1.5789.0608	Flange Bolt M6x8	3
5	12.111000.00	Control Assembly	1
6	12.080100.02.48	Fan Cover	1
7	1.6177.2.12	Flange Nut M12	1
8	12.060001.00	Pulley Starter	1
9	12.080001.00	Cooling Fan	1
10	1.16674.0620	Flange Bolt M6x20	2
11	12.123000.02	Ignition Coil	1
12	12.120100.01	Flywheel	1
13	2.14.016	Woodruff Key (5x6.5x16)	2
14	12.080014.00	Air Guide Board (Back)	1
15	12.080014.01	Air Guide Board (Front)	1
16	2.11.009	Oil Seal (Ø17xØ30x6)	2
17	1.276.6203	Bearing 6203	1
18	21.120400.00	Diode Assembly	1
19	1.6177.06	Flange Nut M6	4
20	2.08.037	Bolt, Drain (M10x1.25x25)	2
21	2.03.016	Washer, Drain Bolt (Ø10xØ16x1.5)	2
22	12.030100.01	Crankcase	1
23	12.127000.01	Oil Level Sensor	1
24	1.16674.0616	Flange Bolt M6x16	5
25	2.03.020.1	Washer (Ø6.2xØ15x0.5)	1
26	12.110100.00	Governor Gear	1
27	12.110013.00	Governor Gear Shaft	1
28	21.110011.00	Governor Gear Clip	1
29	12.110012.00	Governor Gear Bushing	1
30	12.050103.00	Gear, Crankshaft	1
31	12.050101.05	Crankshaft	1
32	12.050102.00	Timing Gear	1
33	1.276.6303	Bearing 6303	1
34	12.030008.01	Gasket, Crankcase Cover	1
35	2.04.002	Dowel Pin Ø8x14	4
36	12.031000.00	Oil Dipstick Assembly	2
37	12.030007.00	Cover, Crankcase	1
38	1.5789.0625.0.8	Flange Bolt M6x25	6
39	12.050200.00	Connecting Rod	1
40	12.050005.02	Piston	1
41	2.09.005	Circlip (Ø16xØ1)	2
42	12.050003.01	Wrist Pin	1
43	11.050303.00	Ring, Oil	1
44	11.050302.00	Ring, Second Piston	1
45	11.050301.00	Ring, First Piston	1
46	12.030009.01	Gasket, Cylinder Head	1
47	12.010100.01	Cylinder Head	1
48	2.15.005 (E6RTC)	Spark Plug (E6RTC)	1
49	1.5789.0855	Flange Bolt M8x55	4
50	12.020002.00	Gasket, Cylinder Head Cover	1
51	12.021100.01	Cylinder Head Cover	1
52	12.020007.00	Baffle, Line	1

#	Part Number	Description	Qty
53	21.020001.00	Breather Tube	1
54	2.01.010	Stud Bolt (M8x35)	2
55	12.041000.01	Camshaft (EPA)	1
56	12.040013.00	Lifter, Valve	2
57	12.040005.00	Push Rod	2
58	12.040017.00	Oil Seal, Valve	1
59	12.040002.00	Valve, Intake	1
60	12.040006.00	Valve, Exhaust	1
61	12.040003.00	Spring, Valve	2
62	12.040014.00	Lock Clip, Valve	2
63	12.040200.00	Rocker Arm Assembly	1
64	1.16674.0618	Flange Bolt M6x18	1
65	2.01.019	Stud. Bolt (M6x89)	2
66	12.130002.01	Gasket, Insulator	2
67	12.130001.00	Insulator, Carburetor	1
68	12.131000.01	Carburetor	1
69	12.091100.00	Base, Air Cleaner	1
70	12.091001.00	Separator, Air Cleaner	1
71	12.091003.00	Element, Air Cleaner	1
72	12.091200.00	Cover, Air Cleaner	1
73	12.091500.00	Bolt, Air Cleaner	2
74	12.080300.00	Air Guide, Upper	1
75	12.110001.00	Shaft, Governor Arm	1
76	1.896.06	Circlip Ø6	1
77	2.03.019	Washer (Ø8.2xØ17x0.8)	1
78	12.110008.00	Pin, Shaft	1
79	12.110003.00	Arm, Governor	1
80	12.110007.01	Spring, Governor	1
81	12.110005.00	Spring, Throttle Return	1
82	12.110006.00	Rod, Governor	1
83	23.120700.02	Change wire flameout	1
84	1.5789.0612	Flange Bolt M6x12	1
85	12.091000.01	Air Cleaner Assembly (EPA)	1
86	12.100001.02	Exhaust Pipe Gasket	1
87	12.101000.00	Muffler Assembly	1
88	1.848.08	Washer Ø8	2
89	1.859.08	Spring washer Ø8	2
90	1.6175.08	Nut M8	2
91	12.070100.00	Fuel Tank Cap (1.8)	1
92	23.070303.00	Support filter	1
93	23.070301.00	Fuel filter	1
94	12.071000.00	Fuel Tank	1
95	111.070300.01	Fuel Filter Assembly	1
96	2.06.018	Clamp(Ø10.5xb8)	1
97	12.070011.03	Pipe, Fuel (Ø4.5xØ8.5x125)	1
98	12.070010.00	Fuel Tank Veil	1
99	1.845.4213	Bolt M4.2X13	2
100	12.070011.01	Pipe, Fuel (Ø4.5xØ8.5x95)	1
101	12.070400.00	Fuel Valve	1
102	5.1010.002.3	Flameout Switch	1
103	2.06.004	Clamp(Ø10.5xØ1)	3

# TROUBLESHOOTING

Problem	Cause	Solution
Engine will not start	No fuel	Add fuel
	Faulty spark plug	Replace spark plug
	Unit loaded during startup	Remove load from unit
Engine will not start; Engine starts but runs roughly	Low oil level	Fill crankcase to the proper level Place log splitter on a flat, level surface
	Choke in the wrong position	Adjust choke
	Spark plug wire loose	Attach wire to spark plug
Engine shuts down during operation	Out of fuel	Fill fuel tank
	Low oil level	Fill crankcase to the proper level Place log splitter on a flat, level surface
Engine cannot supply enough power or overheating	Insufficient ventilation	Check for air restriction. Move to a well ventilated area
Wedge movement is slow or erratic	Air in the hydraulic oil system	Purge air by extending and retracting the wedge several times until motion is smooth
	Debris lodged in beam guides	Clear debris from beam
	Low hydraulic oil	Check oil level and add as needed
Oil leak from hose connection	Loose hose clamp or hydraulic fitting	Tighten hose clamp or hydraulic fitting
Oil leak from cylinder	Faulty cylinder rod seal	Contact Customer Service
	Scored or bent cylinder rod	Contact Customer Service
	Loose hydraulic fitting	Tighten hydraulic fitting
	Faulty combination washer seal on cylinder hydraulic fitting	Contact Customer Service
Wedge will not extend or retract	Faulty control valve	Contact Customer Service
	Faulty hydraulic pump	Contact Customer Service
	Low hydraulic oil	Check oil level and add as needed
Wedge does not Auto-Return	Low hydraulic oil	Check oil level and add as needed
	Faulty control valve	Contact Customer Service
Excessive bouncing while towing	Under-inflated tires	Inflate tires to proper pressure. Refer to tire sidewall

## For further technical support:

### Technical Service

Mon – Fri 8:30 AM – 5:00 PM (PST/PDT)

Toll Free: 1-877-338-0999

tech@championpowerequipment.com

**WARRANTY**

CHAMPION POWER EQUIPMENT  
1-YEAR LIMITED WARRANTY

**Warranty Qualifications**

Champion Power Equipment (CPE) will register this warranty upon receipt of your Warranty Registration Card and a copy of your sales receipt from one of CPE's retail locations as proof of purchase.

Please submit your warranty registration and your proof of purchase within ten (10) days of the date of purchase.

**Repair/Replacement Warranty**

CPE warrants to the original purchaser that the mechanical and electrical components will be free of defects in material and workmanship for a period of one (1) year from the original date of purchase (90 days for commercial and industrial use). Transportation charges on product submitted for repair or replacement under this warranty are the sole responsibility of the purchaser. This warranty only applies to the original purchaser and is not transferable.

**Do Not Return The Unit To The Place Of Purchase**

Contact CPE's Technical Service and CPE will troubleshoot any issue via phone or e-mail. If the problem is not corrected by this method, CPE will, at its option, authorize evaluation, repair or replacement of the defective part or component at a CPE Service Centre. CPE will provide you with a case number for warranty service. Please keep it for future reference. Repairs or replacements without prior authorization, or at an unauthorized repair facility, will not be covered by this warranty.

**Warranty Exclusions**

This warranty does not cover the following repairs and equipment:

**Normal Wear**

Log Splitter needs periodic parts and service to perform well. This warranty does not cover repair when normal use has exhausted the life of a part or the equipment as a whole.

**Installation, Use and Maintenance**

This warranty will not apply to parts and/or labour if this log splitter is deemed to have been misused, neglected, involved in an accident, abused, loaded beyond its limits, modified, and installed improperly. Normal maintenance such as spark plugs, air filters, adjustments, fuel system cleaning and obstruction due to buildup is not covered by this warranty.

**Other Exclusions**

This warranty excludes:

- Cosmetic defects such as paint, decals, etc.
- Wear items such as filter elements, o-rings, etc.
- Accessory parts such as starting batteries, and storage covers.
- Failures to due acts of God and other force majeure events beyond the manufacturer's control.
- Problems caused by parts that are not original Champion Power Equipment parts.

**Limits of Implied Warranty and Consequential Damage**

Champion Power Equipment disclaims any obligation to cover any loss of time, use of this product, freight, or any incidental or consequential claim by anyone from using this log splitter. THIS WARRANTY IS IN LIEU OF ALL OTHER WARRANTIES, EXPRESS OR IMPLIED, INCLUDING WARRANTIES OF MERCHANTABILITY OR FITNESS FOR A PARTICULAR PURPOSE.

A unit provided as an exchange will be subject to the warranty of the original unit. The length of the warranty governing the exchanged unit will remain calculated by reference to the purchase date of the original unit.

This warranty gives you certain legal rights which may change from state to state or province to province. Your state or province may also have other rights you may be entitled to that are not listed within this warranty.

**Contact Information****Address**

Champion Power Equipment, Inc.  
Customer Service  
10006 Santa Fe Springs Rd.  
Santa Fe Springs, CA 90670  
[www.championpowerequipment.com](http://www.championpowerequipment.com)

**Customer Service**

Mon – Fri 8:30 AM – 5:00 PM (PST/PDT)  
Toll Free: 1-877-338-0999  
Fax no.: 1-562-236-9429

**Technical Service**

Mon – Fri 8:30 AM – 5:00 PM (PST/PDT)  
Toll Free: 1-877-338-0999  
[tech@championpowerequipment.com](mailto:tech@championpowerequipment.com)  
24/7 Tech Support: 1-562-204-1188

**Champion Power Equipment, Inc. (CPE),  
The United States Environment Protection Agency (U.S. EPA.) and the California Air Resources Board (CARB)  
Emission Control System Warranty**

Your Champion Power Equipment (CPE) engine complies with both the U.S. EPA and state of California Air Resources Board (CARB) emission regulations.

**YOUR WARRANTY RIGHTS AND OBLIGATIONS:**

The US EPA, California Air Resources Board, and CPE are pleased to explain the Federal and California Emission Control Systems Warranty on your 2013 small off-road engine and engine powered equipment. In California, new, small off-road engines and new equipment that use small off-engines must be designed, built and equipped to meet the State's stringent anti smog standards. In the other states, new engines and equipment must be designed, built and equipped, at the time of sale, to meet U.S. EPA regulations for small non-road engines. CPE warrants the emission control system on your small off-road engine and equipment for the period of time listed below, provided there has been no abuse, neglect, unapproved modification, or improper maintenance of your equipment.

Your emission control system may include parts such as the carburetor, fuel-injection system, the ignition system, catalytic converter and fuel lines. Also included may be hoses, belts, connectors and other emission related assemblies. Where a warrantable condition exists, CPE will repair your small off-road engine at no cost to you including diagnosis, parts and labor. For engines less than or equal to 80cc, only the fuel tank and fuel line is subject to the evaporative emission control warranty requirements of this section.

**MANUFACTURER'S EMISSION CONTROL SYSTEM WARRANTY COVERAGE:**

This emission control system is warranted for two years, subject to provisions set forth below. If, during the warranty period, emission related part on your engine is defective in materials or workmanship, the part will be repaired or replaced by CPE.

**OWNER WARRANTY RESPONSIBILITIES:**

As the small off-road engine owner, you are responsible for the performance of the required maintenance listed in your Owner's Manual. CPE recommends that you retain all your receipts covering maintenance on your small off-road engine, but CPE cannot deny warranty solely for the lack of receipts or for your failure to ensure the performance of all scheduled maintenance.

As the small off-road engine owner, you should however be aware that CPE may deny you warranty coverage if your small, off-road engine or a part has failed due to abuse, neglect, improper maintenance or unapproved modifications.

You are responsible for presenting your small off-road engine to an Authorized CPE service outlet or alternate service outlet as described in (3)(f.) below, CPE dealer or CPE, Santa Fe Springs, Ca. as soon as a problem exists. The warranty repairs should be completed in a reasonable amount of time, not to exceed 30 days.

If you have any questions regarding your warranty rights and responsibilities, you should contact:

Champion Power Equipment, Inc.  
Customer Service  
10006 Santa Fe Springs Road  
Santa Fe Springs, CA 90670  
1-877-338-0999  
tech@championpowerequipment.com

## **EMISSION CONTROL SYSTEM WARRANTY**

**The following are specific provisions relative to your Emission Control System (ECS) Warranty Coverage.**

**1. APPLICABILITY:** This warranty shall apply to 1995 and later model year California small off-road engines (for other states, 1997 and later model year engines). The ECS Warranty Period shall begin on the date the new engine or equipment is delivered to its original, end-use purchaser, and shall continue for 24 consecutive months thereafter.

### **2. GENERAL EMISSIONS WARRANTY COVERAGE**

CPE warrants to the original, end-use purchaser of the new engine or equipment and to each subsequent purchaser that each of its small off-road engines is:

a. Designed, built and equipped so as to conform to U.S. EPA emissions standards for spark-ignited engines at or below 19 kilowatts and all applicable regulations adopted by the California Air Resources Board and

b. Free from defects in materials and workmanship that cause the failure of a warranted part to be identical in all material respects to the part as described in the engine manufacturer's application for certification for a period of two years.

### **3. THE WARRANTY ON EMISSION-RELATED PARTS WILL BE INTERPRETED AS FOLLOWS:**

a. Any warranted part that is not scheduled for replacement as required maintenance in the Owners Manual shall be warranted for the ECS Warranty Period. If any such part fails during the ECS Warranty Period, it shall be repaired or replaced by CPE according to Subsection "d" below. Any such part repaired or replaced under the ECS Warranty shall be warranted for any remainder of the ECS Warranty Period.

b. Any warranted, emissions-related part which is scheduled only for regular inspection as specified in the Owners Manual shall be warranted for the ECS Warranty Period. A statement in such written instructions to the effect of "repair or replace as necessary", shall not reduce the ECS Warranty Period. Any such part repaired or replaced under the ECS Warranty shall be warranted for the remainder of the ECS Warranty Period.

c. Any warranted, emissions-related part which is scheduled for replacement as required maintenance in the Owner's Manual shall be warranted for the period of time prior to the first scheduled replacement point for that part. If the part fails prior to the first scheduled replacement, the part shall be repaired or replaced by CPE according to Subsection "d" below. Any such emissions-related part repaired or replaced under the ECS Warranty, shall be warranted for the remainder of the ECS Warranty Period prior to the first scheduled replacement point for such emissions-related part.

d. Repair or replacement of any warranted, emissions-related part under this ECS Warranty shall be performed at no charge to the owner at a CPE Authorized Service Outlet.

e. The owner shall not be charged for diagnostic labor which leads to the determination that a part covered by the ECS Warranty is in fact defective, provided that such diagnostic work is performed at a CPE Authorized Service Outlet.

f. CPE shall pay for covered emissions warranty repairs at non-authorized service outlets under the following circumstances:

i. The service is required in a population center with a population over 100,000 according to U.S. Census 2000 without a CPE Authorized Service Outlet AND

ii. The service is required more than 100 miles from a CPE Authorized Service Outlet. The 100 mile limitation does not apply in the following states: Alaska, Arizona, Colorado, Hawaii, Idaho, Montana, Nebraska, Nevada, New Mexico, Oregon, Texas, Utah and Wyoming.

g. CPE shall be liable for damages to other original engine components or approved modifications proximately caused by a failure under warranty of an emission-related part covered by the ECS Warranty.

h. Throughout the ECS Warranty Period, CPE shall maintain a supply of warranted emission-related parts sufficient to meet the expected demand for such emission-related parts.

i. Any CPE Authorized and approved emission-related replacement part may be used in the performance of any ECS Warranty maintenance or repair and will be provided without charge to the owner. Such use shall not reduce CPE's warranty obligation.

j. Unapproved add-on or modified parts may not be used to modify or repair a CPE engine. Such use voids this ECS Warranty and shall be sufficient grounds for disallowing an ECS Warranty claim. CPE shall not be liable hereunder for failures of any warranted parts of a CPE engine caused by the use of such an unapproved add-on or modified part.

**EMISSION-RELATED PARTS INCLUDE THE FOLLOWING: (using those portions of the list applicable to the engine)**

Systems covered by this warranty	Parts Description
Fuel Metering System	Fuel regulator, Carburetor and internal parts
Air Induction System	Air cleaner, Intake manifold
Ignition System	Spark plug and parts, Magneto ignition system
Exhaust System	Exhaust manifold, catalytic converter
Miscellaneous Parts	Tubing, Fittings, Seals, Gaskets, and Clamps associated with these listed systems.
Evaporative Emissions	Fuel Tank, Fuel Cap, Fuel Line, Fuel Line Fittings, Clamps, Pressure Relief Valves, Control Valves, Control Solenoids, Electronic Controls, Vacuum Control Diaphragms, Control Cables, Control Linkages, Purge Valves, Vapor Hoses, Liquid/Vapor Separator, Carbon Canister, Canister Mounting Brackets, Carburetor Purge Port Connector

**TO OBTAIN WARRANTY SERVICE:**

You must take your CPE engine or the product on which it is installed, along with your warranty registration card or other proof of original purchase date, at your expense, to any Champion Power Equipment dealer who is authorized by Champion Power Equipment, Inc. to sell and service that CPE product during his normal business hours. Alternate service locations defined in Section (3)(f.) above must be approved by CPE prior to service. Claims for repair or adjustment found to be caused solely by defects in material or workmanship will not be denied because the engine was not properly maintained and used.

**If you have any questions regarding your warranty rights and responsibilities, or to obtain warranty service, please write or call Customer Service at Champion Power Equipment, Inc.**

**Champion Power Equipment, Inc.  
10006 Santa Fe Springs Road  
Santa Fe Springs, CA 90670  
1-877-338-0999  
Attn.: Customer Service  
tech@championpowerequipment.com**